

Product Catalogue

Edition 2022



BTNyloplast
Nature's Network

Building a sustainable future... out of plastic.

How can plastics be good for the planet, you ask? By transporting water, air and other natural resources more reliably, more efficiently and more sustainably. So we can preserve, recover, recycle and reuse more of them. But also by making sure that the plastics we use are themselves fully recyclable.

So although you may not always see us – or even hear us – we are here. And we never stop striving to develop smarter solutions for managing our most precious resources more effectively and more respectfully. We make a difference!

We're Nature's Network.



Protecting our water supply

A drop of water may not seem like much. But when you think how essential it is to all life on our planet... it is easy to see why we, at BT Nyloplast, believe that every drop counts. And why we go out of our way to ensure that every drop is managed efficiently, intelligently and sustainably. With smarter, more hygienic piping systems, more effective recycling solutions and more efficient irrigation systems. So the most precious liquid on earth can be transported wherever on earth it needs to be... without wasting a single drop in the process.



Managing urbanization and stormwater

Depending on where you are – and when – rain can be either a blessing or a curse. But as our cities grow larger, more crowded and our weather becomes more unpredictable... collecting, containing, recycling and reusing it is now more important than ever. Which is why we redirect rain water to where it's absolutely essential.



Keeping it fresh

The air we breathe is something we all take for granted. And at BT Nyloplast, we believe that's exactly how it should be. Which is why we develop smart ventilation systems that are as silent as they are invisible. In fact, were it not for the fact that the air inside is as fresh as it is outside, you wouldn't even notice them at all.



Always working behind the scenes

Healthy air. Clean water. Silence. Just some of the products we take it upon ourselves to deliver, so you can take them all for granted. Day in, day out. Using innovative materials and technologies, designed and produced in-house, to provide the very basic ingredients of a comfortable home.



Hygienic waste water management

Open a tap... and water comes out. Bringing life, wellbeing, health and hygiene. And when it goes out again, it takes all our stress, pain and dirt along with it. At BT Nyloplast, we never forget how magical that is. And make it our mission to develop the technology that performs these little miracles every day. For healthier, happier and more comfortable living

Introduction

Who we are?

BT Nyloplast has been an indispensable producer of a large assortment of plastic pipe fittings, shaft connectors, gullies and inspection chamber bodies. We have a strong footprint towards plastic pipe producers, concrete producers and wholesale in various European markets.

High quality

We place great value on sustainable methods and the continuous development of more sustainable solutions, both in terms of its way of operating and in the product range we offer.

This has resulted in obtaining the ISO 14001 (environment management system), ISO 9001 (quality management system) and ISO 50001 (energy management system) certificates.

The products that we produce comply with various European market standards to meet our customers' expectations and requirements.

Besides the different production methods like injection moulding and thermomoulding techniques, the craftsmanship of our employees is an important part of our products. We are able to offer products from PVC, PP, PE-HD and Polystyrene in many shapes and sizes and various qualities, tailored to your needs.

Custom made – we are there for you

We are the right address for customized, tailor-made products. In consultation with our clients, new products are developed, certified and produced. As a result, you can rely on us, our quality and our expertise we gained over decades.

If you have any questions, please contact us to find the right suitable, sustainable solution to your challenges or needs!

Part of DYKA Group

BT Nyloplast is part of DYKA Group, a Business Unit of Tessengerlo Group. DYKA Group is composed of the three entities DYKA (www.dyka.com), BT Nyloplast (www.btnyloplast.com) and JDP (www.jdpipes.co.uk). We are much more than just a manufacturer of plastic pipe systems and fittings. By transporting water, air and other energy sources in a reliable, efficient and sustainable way, we do our bit for a better planet every day. Moreover, we do this with recycled or recyclable materials. We can therefore proudly say that we are "Nature's Network". Internationally, DYKA Group is represented in Belgium, the Netherlands, France, UK, Germany, Poland, Czech Republic, Hungary, Slovenia and Romania.

DYKA Group provides high quality, value-added piping solutions for utilities, agricultural, building and civil engineering markets. We focus on achieving higher levels of customer satisfaction by offering pre-assembled piping kits, project consultancy services, engineering support for ventilation solutions, sewage and rainwater solutions, and siphonic roof drainage systems. We provide our solutions via our integrated sales and support network, our manufacturing and logistics professionals, and over 70 customer-oriented branches, as well as more than 2,000 points of sale in Europe.

About Tessengerlo Group

Tessengerlo Group is a diversified industrial group that focuses on agriculture, valorizing bio-residuals, energy, and providing industrial solutions with a focus on water. The group employs more than 4,800 people, is a leader in most of its markets and recorded a consolidated revenue of 1.7 billion EUR in 2020. Tessengerlo Group is listed on Euronext Brussels and is part of Next 150 and BEL Mid indices. Financial News wires: Bloomberg: TESB BB – Reuters: TESB.BR – Datastream: B:Tes



BT Nyloplast B.V.
Mijlweg 45
3295 KG 's Gravendeel
The Netherlands
T +31(0)78 - 673 20 44
E sales.nl@btnyloplast.com



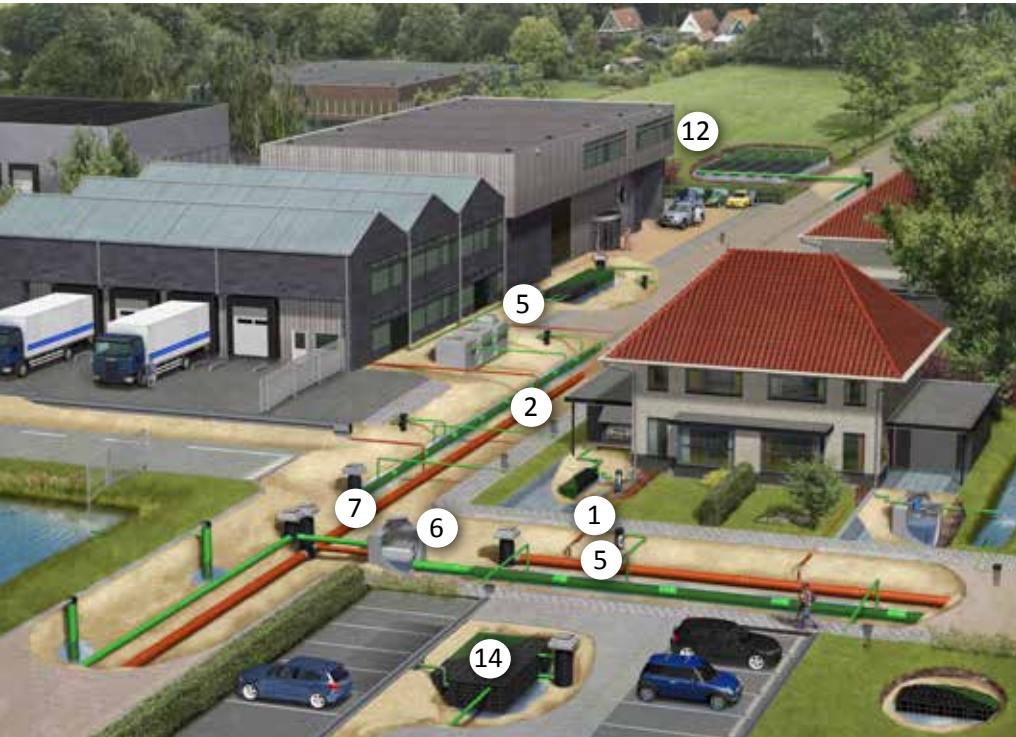
BT Nyloplast GmbH
Oberbernbacher Weg 24
D-86551 Aichach
Germany
T +49(0)82 51/89 95-0
E sales.de@btnyloplast.com



BT Nyloplast Kft.
Kassai str., 35-37
3636 Vadna
Hungary
T +36(0)48 505 040
E sales.hu@btnyloplast.com

Contents

1. PVC SEWAGE FITTINGS SDR 41/SN4	Page 1.1
2. PVC SEWAGE FITTINGS SDR 34/SN8	Page 2.1
3. PP SEWAGE FITTINGS S13,3/SN8	Page 3.1
4. PE – HD SEWAGE FITTINGS	Page 4.1
5. ADAPTERS	Page 5.1
6. SHAFT CONNECTORS	Page 6.1
7. AXEDO INSPECTION CHAMBERS	Page 7.1
8. PVC GULLIES	Page 8.1
9. PVC – SANITARY FITTINGS	Page 9.1
10. PP – HT FITTINGS	Page 10.1
11. VENTILATION COMPONENTS	Page 11.1
12. DRAINAGE FITTINGS	Page 12.1
13. RAINWATER FITTINGS	Page 13.1
14. CLIENT SPECIFIC SOLUTIONS	Page 14.1
15. GROUP PRODUCTS	Page 15.1



- 1 PVC SEWAGE FITTINGS SN4/SDR41
- 2 PVC SEWAGE FITTINGS SN8/SDR34
- 3 PP SOLYDO FITTINGS SN8
- 4 PE - HD SEWAGE FITTINGS
- 5 ADAPTERS
- 6 SHAFT CONNECTORS
- 7 AXEDO INSPECTION CHAMBERS
- 8 PVC GULLIES
- 9 PVC SANITARY FITTINGS
- 10 PP - HT FITTINGS
- 11 VENTILATION COMPONENTS
- 12 DRAINAGE FITTINGS
- 13 RAINWATER FITTINGS
- 14 CLIENT SPECIFIC SOLUTIONS
- 15 GROUP PRODUCTS

We have more to offer

- Customized marking of fittings and labels according your individual requirements
- Production in various colours
- Wide program in fittings, turn-key solutions in co-operation with sister companies and own toolshop
- Know how and equipment for injection moulding production for external parties, in PVC, PP, PS and PE. Other materials on request
- Complete solutions for your customized projects



PVC SEWAGE FITTINGS SN4/SDR41



BTNyloplast
Nature's Network



PVC SEWAGE FITTINGS SN4/SDR41

In PVC Sewage Fittings we offer a ready-made solution for almost all challenges. Thanks to our many and versatile production methods, the possibilities are endless. We produce an extensive range from $\varnothing 110\text{mm}$ to $\varnothing 630\text{mm}$ in various colors and desired designs. The flexibility in both production method and connection technology also offers the possibility to assemble products with a configuration other than the standard.

Examples of existing modifications are:

- longer products
- extra connections
- swivel joint applied to a fitting
- socket or spigot at each end





APPLICATION AREA

Fittings for underground, non-pressurised waste water pipes [PVC-U]



APPROVAL

Germany, Czech Republic, Austria, France, Belgium, UK/Kitemark, The Netherlands, Romania and Hungary. Check for possible exceptions



MATERIAL DESIGNATION

PVC-U, Ca/Zn-stabilised



STANDARD

EN 1401-1 Application UD



NOMINAL RING STIFFNESS

SN4/SDR41



DIAMETER

DN/OD 110mm - 630mm



COLOURS

Orange-brown RAL8023 and Grey RAL7037, special colours available on request



SEALING RING SYSTEM

BL-Lip seal / HB-FIX seal / SK seal



PACKAGING TYPES

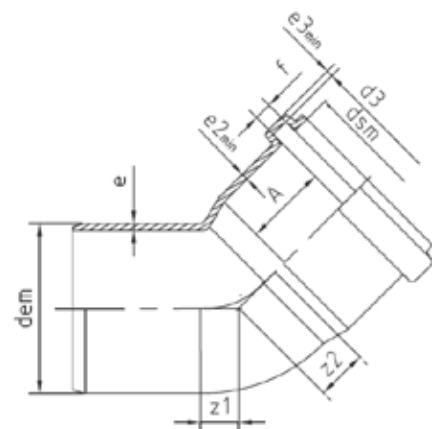
Palletcarton / Cartons on one-way pallets / Carton boxes

KGB Bend MF

(Male/Female)

D	α	Z1	Z2	Amin.
110	15°	9	15	32
	30°	17	22	32
	45°	25	29	32
	67°	41	47	32
	87°	59	65	32
125	15°	10	16	35
	30°	19	23	35
	45°	28	33	35
	67°	46	50	35
	87°	65	70	35
160	15°	13	19	42
	30°	24	30	42
	45°	36	42	42
	67°	59	65	42
	87°	83	89	42
200	15°	15	25	50
	30°	30	38	50
	45°	46	54	50
	67°	73	82	50
	87°	105	113	50
250	15°	28	34	55
	30°	46	50	55
	45°	66	69	55
	87°	141	143	55
	315	15°	35	42
30°		59	62	62
45°		84	86	62
87°		178	180	62
400		15°	34	53
	30°	64	83	70
	45°	96	110	70
	87°	216	229	70
	500	15°	37	59
30°		74	97	190
45°		114	137	190
90°*		390	410	190
630		15°*	205	240
	30°*	251	286	205
	45°*	527	469	205
	90°*	935	970	205

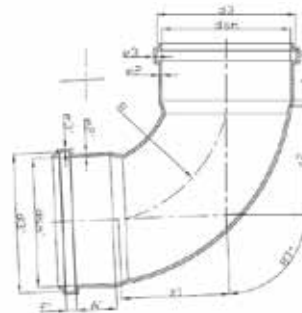
* Swept version



KGB Bend FF (Female/Female)

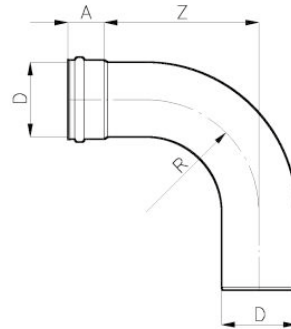
D	α	Z1	Z2	Amin.
110	45°	30	30	32
	87°	150	105	32
125	45°	33	33	35
	87°*	115	115	42
160	45°	42	42	42
	87°*	134	135	42
200	15°	23	23	75
	30°	38	38	75
	45°	46	46	75
	67°	73	82	75
	87°	155	155	81
250	15°	30	30	110
	30°	49	49	110
	45°	69	69	110
	87°	143	143	110
315	15°	38	38	125
	30°	61	61	125
	45°	86	86	125
	87°	180	180	110
400	15°	48	48	155
	30°	78	78	155
	45°	110	110	155
	87°	229	229	125
500	90°*	410	410	190
630	15°*	240	240	205
	30°*	286	286	205
	45°*	563	469	205
	90°*	970	970	205

* Swept version



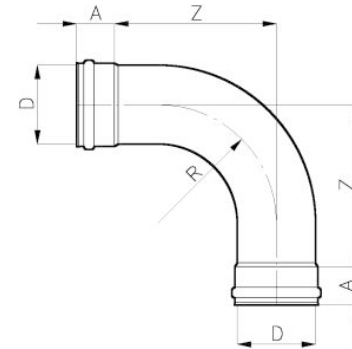
KGB Bend MF R = 1,5xD (Male/Female)

D	α	R	A	Z
200	90°	300	100	430
250	90°	375	120	500
315	90°	475	135	630



KGB Bend FF R = 1,5 xD (Female/Female)

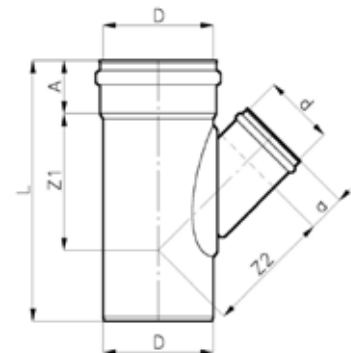
D	α	R	A	Z
200	90°	300	100	430
250	90°	375	120	500
315	90°	475	135	630



KGEA T-Piece 45° MFF

(Male/Female/Female)

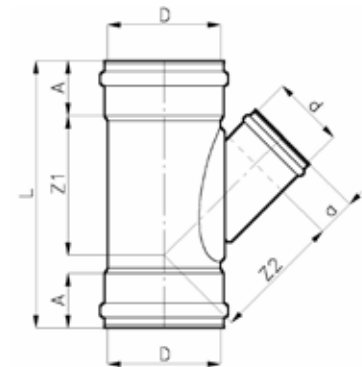
D	d	L	A	a	Z1	Z2
110	110	275	70	70	134	134
125	110	290	75	70	141	144
125	125	320	75	75	152	152
160	110	325	85	70	160	168
160	125	347	85	75	170	176
160	160	395	85	85	194	194
200	110	358	100	70	182	197
200	125	379	100	75	192	205
200	160	426	100	85	216	223
200	200	485	100	100	243	243
250	110	484	110	70	209	228
250	125	484	110	75	220	236
250	160	484	110	85	244	254
250	200	537	110	100	271	275
250	250	604	110	110	304	304
315	110	514	120	70	244	272
315	125	514	120	75	254	279
315	160	514	120	85	278	297
315	200	568	120	100	305	318
315	250	633	120	110	338	345
315	315	722	120	120	382	382
400	110	640	145	70	395	380
400	125	640	145	75	395	385
400	160	640	145	85	395	400
400	200	745	145	100	445	430
400	250	745	145	110	445	450
400	315	1000	145	120	520	460
400	400	1100	145	145	580	640
500	110	720	200	70	415	500
500	125	840	200	75	475	500
500	160	840	200	85	475	500
500	200	1000	200	100	550	565
500	250	1000	200	110	550	600
500	315	1100	200	120	600	635
500	400	1200	200	145	650	700
500	500	1400	200	200	750	735
630	110	825	225	70	500	630
630	160	990	225	85	585	655
630	200	990	225	100	585	675
630	250	990	225	110	585	700
630	315	1190	225	120	685	735
630	400	1340	225	145	760	800
630	500	1490	225	200	835	835



KGEA T-Piece 45° FFF

(Female/Female/Female)

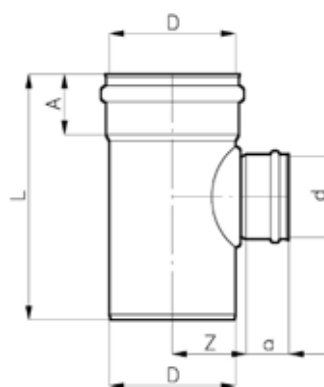
D	d	L	A	a	Z1	Z2
110	110	298	70	70	134	134
125	125	328	75	75	152	152
160	110	333	85	70	160	168
160	125	355	85	75	170	176
160	160	402	85	85	194	194
200	110	490	100	70	250	235
200	125	490	100	75	250	245
200	160	515	100	85	265	260
200	200	620	100	100	315	285
250	110	510	110	70	280	270
250	125	510	110	75	280	280
250	160	570	110	85	310	295
250	200	620	110	100	330	325
250	250	700	110	110	380	350
315	110	540	120	70	315	320
315	125	540	120	75	315	325
315	160	590	120	85	340	340
315	200	655	120	100	375	370
315	250	730	120	110	415	400
315	315	830	120	120	465	430
400	110	660	145	70	395	380
400	125	660	145	75	395	385
400	160	660	145	85	395	400
400	200	765	145	100	445	430
400	250	765	145	110	445	450
400	315	1000	145	120	520	460
400	400	1100	145	145	580	640
500	110	720	200	70	415	500
500	125	840	200	75	475	500
500	160	840	200	85	475	500
500	200	1000	200	100	550	565
500	250	1000	200	110	550	600
500	315	1100	200	120	600	635
500	400	1200	200	145	650	700
500	500	1400	200	200	750	735
630	160	990	225	85	585	655
630	200	990	225	100	585	675
630	250	990	225	110	585	700
630	315	1190	225	120	685	735
630	400	1340	225	145	760	800
630	500	1490	225	200	835	835
630	400	1340	225	145	760	800
630	500	1490	225	200	835	835



KGEA T-Piece 87° MFF

(Male/Female/Female)

D	d	L	A	a	Z
110	110	238	70	70	62
125	110	250	75	70	69
125	125	265	85	75	70
160	110	278	85	70	86
160	125	294	85	75	87
160	160	328	100	85	89
200	110	320	100	70	108
200	125	337	100	75	108
200	160	369	100	85	110
200	200	409	100	100	113
250	110	415	110	70	132
250	125	415	110	75	132
250	160	415	110	85	134
250	200	500	110	100	136
250	250	500	120	110	143
315	110	438	120	70	143
315	125	438	120	75	104
315	160	438	120	85	104
315	200	590	120	100	170
315	250	590	120	110	174
315	315	590	120	120	178
400	110	565	145	70	220
400	125	565	145	75	220
400	160	565	145	85	220
400	200	630	145	100	225
400	250	630	145	110	225
400	315	880	165	120	240
400	400	880	165	145	240
500	110	720	200	70	310
500	125	720	200	75	310
500	160	720	200	85	310
500	200	840	200	100	315
500	250	840	200	110	315
500	315	1000	200	120	320
500	400	1000	200	145	325
500	500	1000	200	200	400
630	110	700	225	70	425
630	125	700	225	75	425
630	160	825	225	85	425
630	200	825	225	100	430
630	250	825	225	110	435
630	315	990	225	120	435
630	400	990	225	145	440
630	500	990	225	200	460
630	630	1340	225	225	415

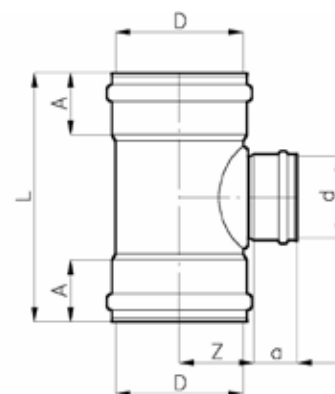


KGEA T-Piece 87° FFF

(Female/Female/Female)

D	d	L	A	a	Z
110	110*	272	70	70	62
125	125*	300	75	75	70
160	110*	311	85	70	86
160	125*	329	85	75	87
160	160*	363	85	85	89
200	110	400	100	70	120
200	125	400	100	75	120
200	160	435	100	85	120
200	200	480	100	100	125
250	110	425	110	70	145
250	125	425	110	75	145
250	160	465	110	85	150
250	200	510	110	100	155
250	250	565	110	110	155
315	110	460	120	70	185
315	125	460	120	75	185
315	160	495	120	85	180
315	200	540	120	100	185
315	250	605	120	110	190
315	315	665	120	120	195
400	110	585	145	70	220
400	125	585	145	75	220
400	160	585	145	85	220
400	200	650	145	100	225
400	250	650	145	110	225
400	315	880	165	120	240
400	400	880	165	145	240
500	110	720	200	70	310
500	125	720	200	75	310
500	160	720	200	85	310
500	200	840	200	100	315
500	250	840	200	110	315
500	315	1000	200	120	320
500	400	1000	200	145	325
500	500	1100	200	200	400
630	200	825	225	100	430
630	250	825	225	110	435
630	315	990	225	120	435
630	400	990	225	145	440
630	500	1190	225	200	460
630	630	1390	225	225	415

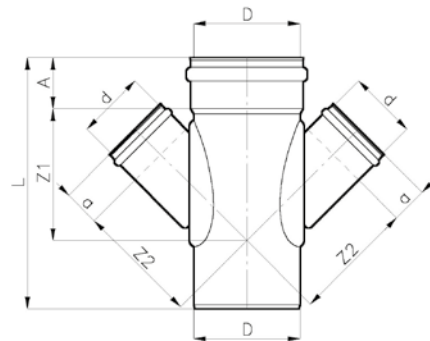
* Swept version



KGDA Double T-Piece 45° MFFF

(Male/Female/Female/Female)

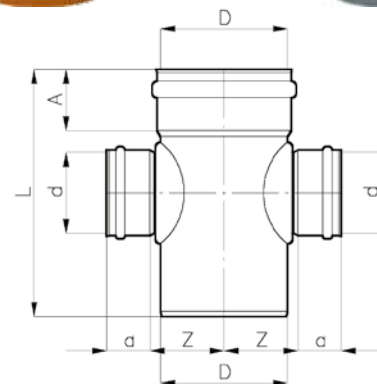
D	d	Z1	Z2	A	a	L
110	110	141	141	57	57	288
125	125	157	157	64	64	316
160	160	250	230	85	85	490
200	200	300	285	100	100	590
250	110	280	270	110	70	510
250	160	310	295	110	85	570
250	200	330	325	110	100	620
250	250	380	350	110	110	700
315	110	315	320	120	70	535
315	160	340	340	120	85	585
315	200	375	370	120	100	650
315	250	415	400	120	110	725
315	315	465	430	120	120	825
400	160	395	400	145	85	640
400	200	445	430	145	100	745
400	250	445	450	145	110	745
400	315	520	460	145	120	1000



KGDA Double T-Piece 87° MFFF

(Male/Female/Female/Female)

D	d	Z	A	a	L
110	110	60	50	50	230
125	125	80	75	75	340
160	160	100	85	85	400
200	200	125	100	100	480
250	110	145	110	70	465
250	160	150	110	85	465
250	200	150	110	100	510
250	250	155	110	110	565
315	110	185	120	70	450
315	160	180	120	85	490
315	200	185	120	100	530
315	250	190	120	110	600
315	315	195	120	120	660
400	160	220	145	85	565
400	200	225	145	100	630
400	250	225	145	110	630
400	315	240	165	120	880

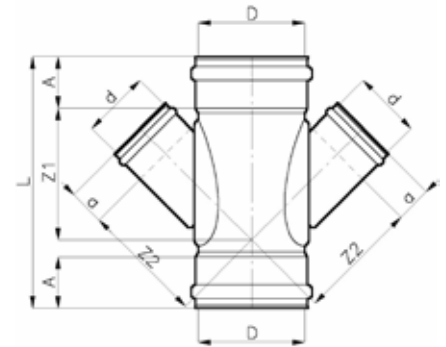


PVC SEWAGE FITTINGS SN4/SDR41

KGDA Double T-Piece 45° FFFF

(Female/Female/Female/Female)

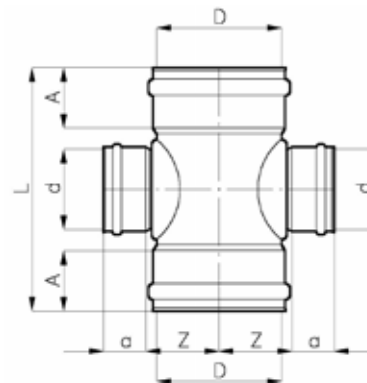
D	d	Z1	Z2	A	a	L
125	110	141	144	55	50	280
125	125	152	152	55	55	300
200	110	250	235	100	70	490
200	200	300	330	100	100	590
250	125	280	280	110	75	510
250	200	330	325	110	100	620
315	200	375	370	120	100	655
315	250	415	400	120	110	730
400	160	395	400	145	85	660



KGDA Double T-Piece 87° FFFF

(Female/Female/Female/Female)

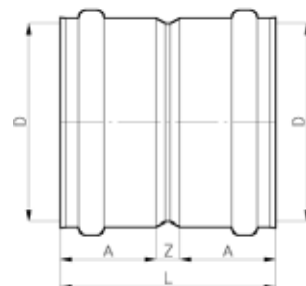
D	d	Z1	A	a	L
110	110	60	50	50	230
125	110	80	75	70	340
125	125	85	75	75	340
160	110	100	85	70	400
160	125	100	85	75	400
160	160	100	85	85	400
200	125	120	100	75	400
200	160	120	100	85	435
200	200	125	100	100	480
250	110	145	110	70	465
250	125	145	110	75	465
250	160	150	110	85	465
250	200	150	110	100	510
250	250	155	110	110	565
315	125	185	120	75	460
315	160	180	120	85	495
315	200	185	120	100	540
315	250	190	120	110	605
315	315	195	120	120	665
500	500	400	200	200	1100



KGMM Double Coupler

D	L	A	Z
110	122	70	20
125	110	75	20
160	132	85	20
200	158	100	30
250	250	110	30
315	293	120	40
400	340	145	50
500	460	200	60
630	520	225	70

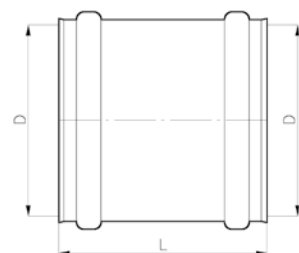
available in different lengths



KGU Repair Coupler

D	L
110	122
125	110
160	132
200	158
250	250
315	293
400	340
500	460
630	520

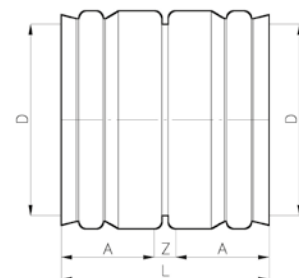
available in different lengths



KGMMF Flexible Double Coupler

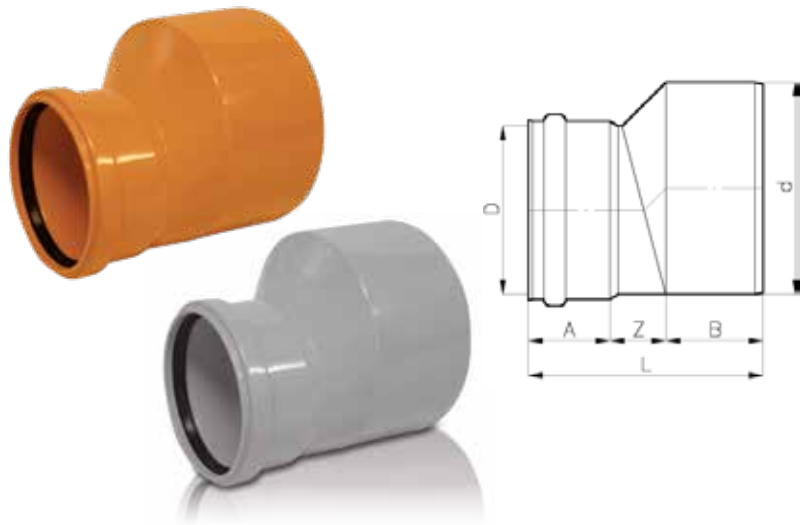
D	L	A	Z
110	160	70	20
125	170	75	20
160	190	85	20
200	230	100	30
250	240	100	40
315	310	135	40
400	380	165	50
400	340	145	50

available in different lengths
sockets allow 6° movement in all directions



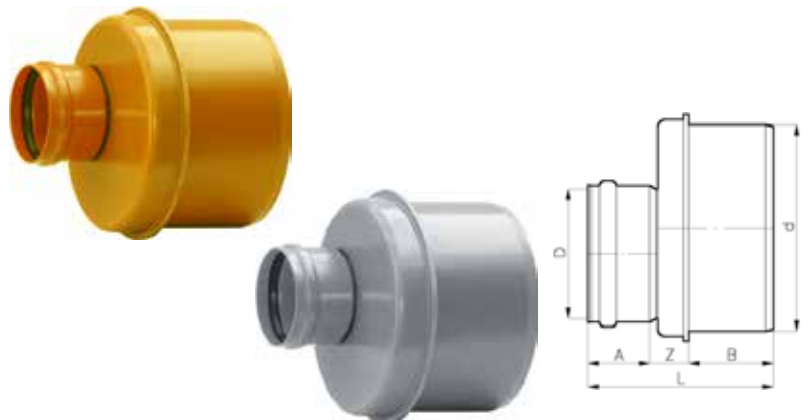
KGR Eccentric Reducer

d	D	L	A	B	Z
125	110	139	43	81	15
160	110	172	43	95	34
160	125	173	47	97	29
200	125	285	80	115	90
200	160	204	56	117	31
250	160	264	74	125	65
250	200	261	65	149	47
315	200	390	100	155	135
315	250	302	81	159	62
400	315	340	85	188	67
500	400	495	165	188	142



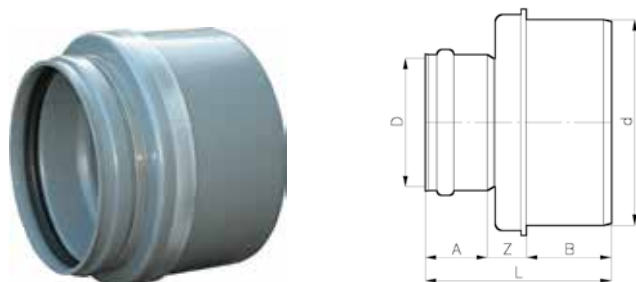
KGR Semi-Eccentric Reducer

d	D	L	A	B	Z
250	110	255	70	135	50
315	110	300	70	145	85
315	160	315	85	145	85
400	200	370	100	165	105
400	250	380	110	165	105
500	250	335	110	250	-25
630	250	490	110	270	110
630	400	535	145	270	120



KGR Concentric Reducer

D	d	L	A	B	Z
400	200	370	100	165	105
400	315	395	120	165	110
500	315	280	120	180	-20
630	500	500	200	265	35



KGR Concentric Reducer Cement Socket

D	d	L	A	B	Z
400	500	420	175	90	155



KGK Endcap F (Female)

D	L
110	46
125	46
160	53
200	65
250	69
315	76
400	86
500	87
630	95

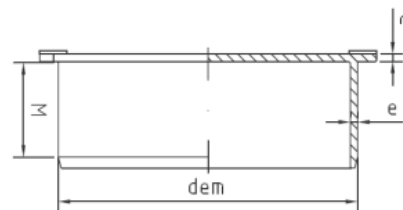


available in thick-walled and thin-walled versions



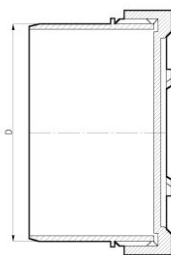
KGK Socket Plug (Male)

D	L
110	45
125	45
160	53
200	64
250	95
315	100
400	114
500	187
630	200



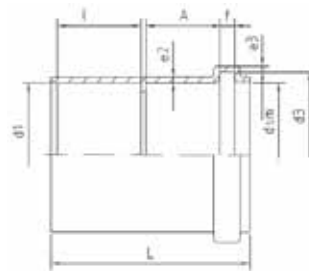
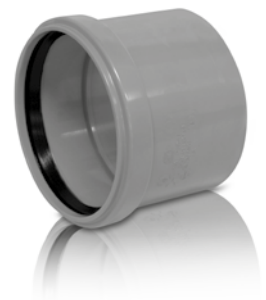
KGRS Endcap Screw Cover

D
110
125
160
200
250
315



KGAM Single socket

D	X	L
110	3,1	90
125	3,1	98
160	3,8	117
200	4,7	141



Manhole wall inlet FM (Female/male)

D	D2
125	146
160	184

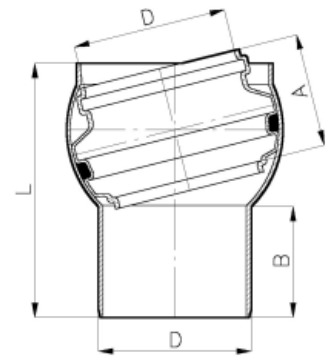


PVC SEWAGE FITTINGS SN4/SDR41

KGCF Swivel Joint Spigot FM

D	L	A	B
110	190	80	80
125	210	85	85
160	250	110	95
200	306	135	120
250	349	190	125

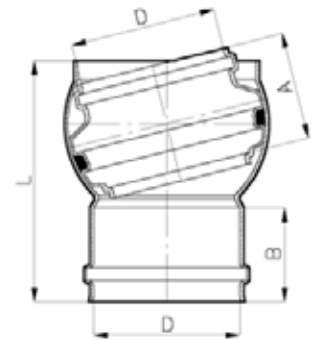
Sockets allow 15° movement in all directions



KGCF Swivel Joint Spigot FF

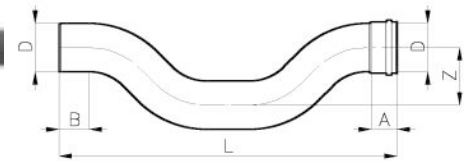
D	L	A	B
125	210	85	75
160	250	110	85
200	303	135	100

Sockets allow 15° movement in all directions



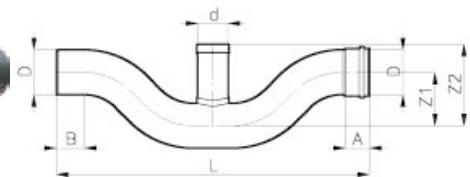
KGCF Sifon without Access

D	L	A	B	Z
110	840	70	70	140
125	910	75	75	160
160	1120	85	85	190



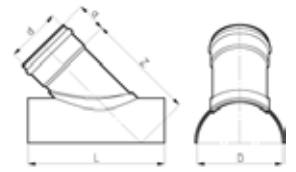
KGCF Sifon with Access

D	d	L	A	B	Z1	Z2
110	80	840	70	70	140	220
125	100	910	75	75	160	250
160	110	1120	85	85	190	290



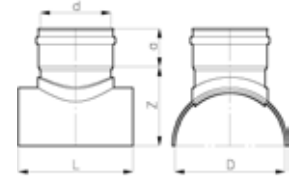
KGAB Saddle Piece 45°

D	d	L	A	Z
125	110	258	70	200
160	110	260	70	225
160	125	300	75	235
200	110	318	70	255
200	125	340	75	260
200	160	390	85	285
250	110	275	70	290
250	125	300	75	300
250	160	400	85	320
250	200	450	100	340
315	110	275	70	340
315	125	300	75	355
315	160	432	85	375
315	200	450	100	400
315	250	550	120	425
400	110	300	70	410
400	125	325	75	420
400	160	370	85	465
400	200	450	100	475
400	250	550	120	505
400	315	550	120	575
500	125	325	75	505
500	160	370	85	525
500	200	450	100	550
500	250	550	120	575



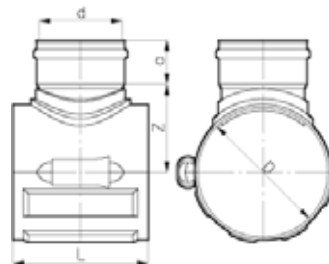
KGAB Saddle Piece 90°

D	d	L	A	Z
160	110	200	70	130
200	110	200	70	150
200	125	220	75	150
200	160	260	85	150
250	110	200	70	180
250	125	220	75	180
250	160	260	85	180
250	200	300	100	185
315	110	200	70	225
315	125	220	75	225
315	160	270	85	225
315	200	300	100	230
315	250	350	120	230
400	110	210	70	280
400	125	230	75	280
400	160	300	85	280
400	200	310	100	285
400	250	360	120	285
400	315	475	135	290
500	125	230	75	345
500	160	320	85	345
500	200	370	100	350
500	250	420	120	350
500	315	475	135	355



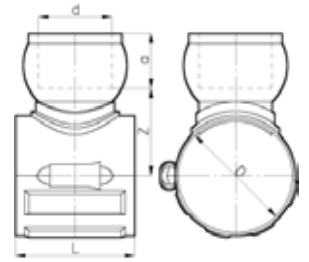
KGABE Saddle Piece with Wedge 90°

D	d	L	a	Z
160	110	210	70	135
160	125	210	75	110
200	110	215	70	155
200	125	215	75	130
200	160	240	85	140
250	110	225	70	185
250	125	225	75	160
250	160	255	85	170
315	110	270	70	185
315	125	270	75	190
315	160	290	85	200



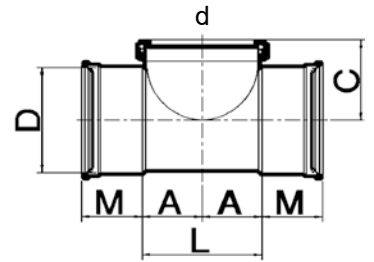
KGABE Saddle Piece with Wedge + Swivel Joint 90°

D	e	L	a	Z
160	125	210	85	150
250	160	255	110	230
315	125	270	85	230
315	160	290	110	260



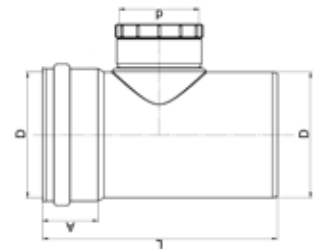
KGRE Cleaning T-Piece with screw cap FF

D	d	L	A	C	M
110	125	126	63	85	64
125	160	160	80	102	72
160	160	154	77	120	89



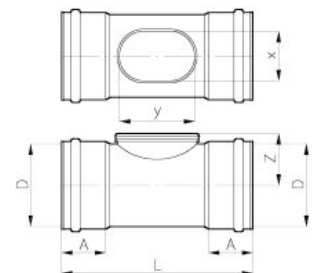
KGRE Cleaning T-Piece with screw cap FM

D	d	L	A
250	160	465	110
315	160	490	120
400	160	565	145



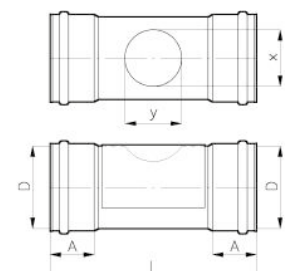
Access channel with clic-on cap

D	L	A	Z	x	y
125	385	75	105	116	144
160	370	85	100	96	146



Access channel with slip cap

D	L	A	x	y
200	405	100	105	105
250	425	120	116	116
315	450	135	127	127
400	700	145	195	195



KGSZ Backwater valve**D**

50
110
125
160
200

**KGSZ Double flap backwater valve**

D	H	L	W
ZB2K 110	227	486	288
ZB2K 160	293	626	243

**KGSZ backwater valve for vertical assembly**

D	H	L	W
ZBPION 110	287	188	210




PVC SEWAGE FITTINGS SN8/SDR34



BTNyloplast
Nature's Network





Even if you are looking for extra security in the field of standard sewerage fittings, we offer a wide range of options. With our extensive range of SN8 fittings up to \varnothing 400mm, your entire system can be made extra strong.

- Greater impact resistance,
- less chance of out-of-roundness
- and therefore less chance of leaks.
- Making your system more sustainable

Available as standard in colors Orange-brown RAL8023 and Grey RAL7037 and equipped with the best suitable sealing ring for the purpose to guarantee the highest quality standard.



APPLICATION AREA

Fittings for underground, non-pressurised waste water pipes [PVC-U]



APPROVAL

Germany, Czech Republic, Austria, France, Belgium, UK/Kitemark, Netherlands and Hungary. Check for possible exceptions



MATERIAL DESIGNATION

PVC-U, Ca/Zn-stabilised



STANDARD

EN 1401-1 Application UD



NOMINAL RING STIFFNESS

SN8/SDR34



DIAMETER

DN/OD 110mm - 400mm



COLOURS

Orange-brown RAL8023 and Grey RAL7037, special colours available on request



SEALING RING SYSTEM

BL-Lip seal / HB-FIX seal / SK seal



PACKAGING TYPES

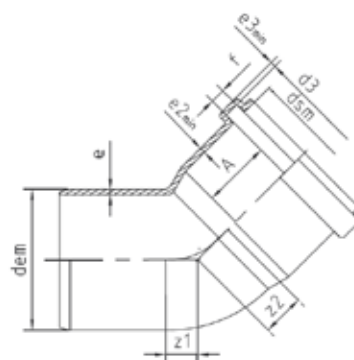
Palletcarton / Cartons on one-way pallets

KGB Bend MF

(Male/Female) SDR34/SN8

D	α	Z1	Z2	Amin.
110	15°	9	15	32
	30°	17	22	32
	45°	25	29	32
	67°	41	47	32
	87°	59	65	32
200	15°	15	23	75
	30°	30	38	75
	45°	46	54	75
250	15°	19	30	110
	30°	37	49	110
	45°	57	69	110
	90°*	188	192	130
315	15°	23	38	125
	30°	47	61	125
	45°	72	86	125
	90°*	236	240	150
400	15°	29	48	155
	30°	59	78	155

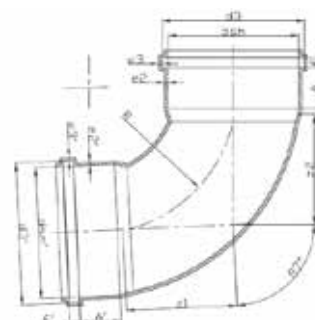
* Swept version

**KGB Bend FF**

(Female/Female) DR34/SN8

D	α	Z1	Z2	Amin.
110	45°	30	30	32
	87°*	150	105	32
200	15°	23	23	75
	30°	38	38	75
	45°	54	54	75
	87°	113	119	75
250	15°	30	30	110
	30°	49	49	110
	45°	69	69	110
	90°*	192	192	130
315	15°	38	38	125
	30°	61	61	125
	45°	86	86	125
	90°*	240	240	150
400	15°	48	48	155
	30°	78	78	155

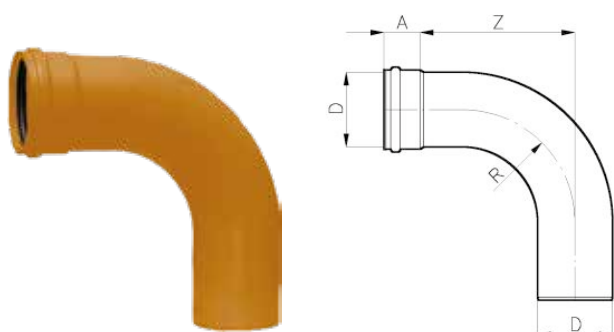
* Swept version



KGB Bend MF

(Male/Female) R = 1,5D SDR34/SN8

D	α	R	A	Z
200	90°	300	100	430
250	90°	375	120	500
315	90°	475	135	630



KGEA T-Piece 45° MFF

(Male/Female/ Female) SDR34/SN8

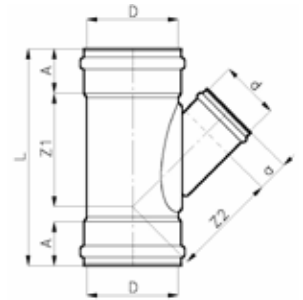
D	d	L	A	a	Z1	Z2
110	110	275	100	70	134	134
200	125	490	100	75	250	245
200	160	515	100	85	265	260
200	200	620	100	100	315	285
250	110	530	120	70	280	270
250	160	600	120	85	310	295
250	200	645	120	100	330	325
250	250	720	120	120	380	350
315	110	555	135	70	315	320
315	125	555	135	75	315	325
315	160	605	135	85	340	340
315	200	665	135	100	375	370
315	250	740	135	120	415	400
315	315	845	135	135	465	430
400	110	660	165	70	395	380
400	125	660	165	75	395	385
400	160	660	165	85	395	400
400	200	765	165	100	445	430
400	250	765	165	120	445	430
400	315	1000	165	135	500	460
400	400	1100	165	165	560	620



KGEA T-Piece 45° FFF

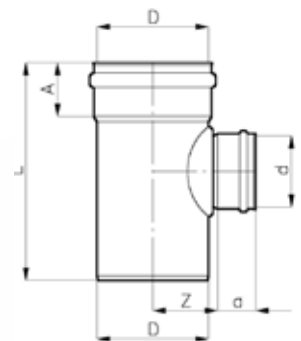
(Female/Female/ Female) SDR34/SN8

D	d	L	A	a	Z1	Z2
110	110	298	70	70	134	134
200	110	490	100	70	250	235
200	125	490	100	75	250	245
200	160	515	100	85	265	260
200	200	620	100	100	315	285
250	125	510	110	75	280	280
250	160	570	110	85	310	295
250	200	620	110	100	330	325
250	250	700	110	110	380	350
315	125	540	120	75	315	325
315	160	590	120	85	340	340
315	200	655	120	100	375	370
315	250	730	120	110	415	400
315	315	830	120	120	465	430
400	160	660	145	85	395	400
400	200	765	145	100	445	430
400	250	765	145	110	445	450
400	315	1000	145	120	520	460
400	400	1100	145	145	580	640

**KGEA T-Piece 90° MFF**

(Male/Female/Female) SDR34/SN8

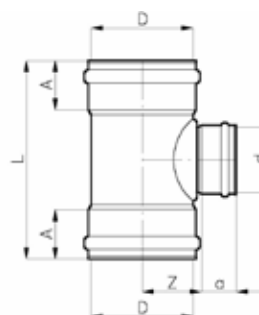
D	d	L	A	a	Z
110	110	238	70	70	65
200	160	435	100	85	120
200	200	480	100	100	125
250	125	425	110	75	145
250	160	465	110	85	150
250	200	510	110	100	155
250	250	656	110	110	155
315	125	450	120	75	185
315	160	490	120	85	180
315	200	530	120	100	185
315	250	600	120	110	190
315	315	660	120	120	195
400	160	656	145	85	220
400	200	630	145	100	225
400	250	630	145	110	225
400	315	880	165	120	240
400	400	880	165	145	240



KGEA T-Piece 90° FFF

(ale/Female/Female) SDR34/SN8

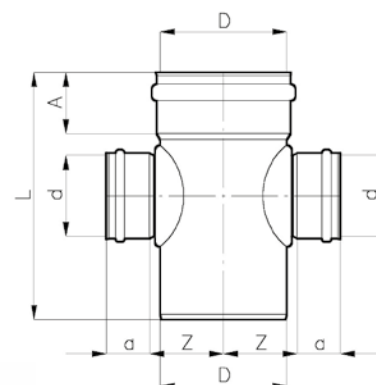
D	d	L	A	a	Z
110	110	272	70	70	65
200	110	400	100	70	120
200	125	400	100	75	120
200	160	435	100	85	120
200	200	480	100	100	125
250	110	425	110	70	145
250	125	425	110	75	145
250	160	465	110	85	150
250	200	510	110	100	155
250	250	565	110	110	155
315	110	460	120	70	185
315	125	460	120	75	185
315	160	495	120	85	180
315	200	540	120	100	185
315	250	605	120	110	190
315	315	665	120	120	195
400	110	585	145	70	220
400	125	585	145	75	220
400	160	585	145	85	220
400	200	650	145	100	225
400	250	650	145	110	225
400	315	880	165	120	240
400	400	880	165	145	240



KGDA Double T-Piece 87° MFFF

(Male/Female/Female/Female)

D	d	L	A	a	Z
160	125	360	85	75	100



Slip Junction 87° FFF

(Female/Female/Female)

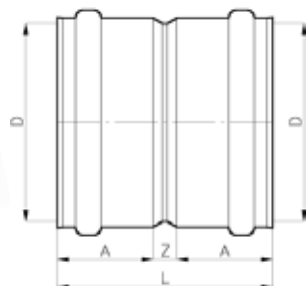
D	d	L	A	a	Z
125	125	543	65	75	93



KGMM Double coupler

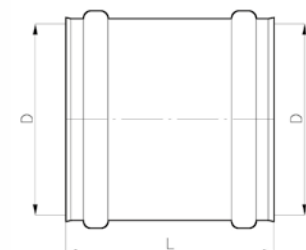
SDR34/SN8

D	L	A	Z
110	122	59	31
125	170	75	20
160	190	85	20
200	230	100	30
250	250	110	30
315	280	120	40
400	340	145	50

**KGU Repair coupler**

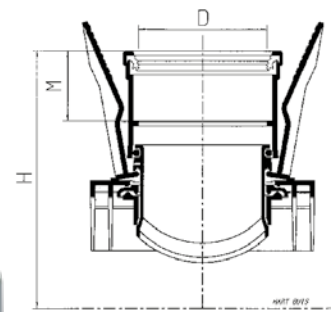
SDR34/SN8

D	L
110	122
125	170
160	190
200	230
250	220
315	240
400	290



Mechanical Saddle

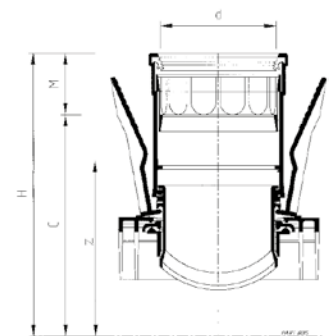
(Clamp - flanged socket) SDR41/SN4 - SDR34/SN8



Diam.	d	H	M
200/125	125	231	64
250/125	125	256	64
315/125	125	289	64
400/125	125	331	64
250/160	160	260	67
315/160	160	293	67
400/160	160	335	67
500/160	160	385	67
630/160	160	450	67

Mechanical Saddle with settlement construction

(Clamp - Settlement socket) SDR41/SN4 - SDR34/SN8



Diam.	Frais drill (mm)	D	M	C	Z	H	settlement
200/125	127	125	67	218	181	285	37
250/125	127	125	67	243	206	310	37
315/125	127	125	67	275	238	342	37
400/125	127	125	67	318	281	385	37
250/160	159	160	69	241	205	310	36
315/160	159	160	69	273	237	342	36
400/160	159	160	69	316	280	385	36
500/160	159	160	69	366	330	435	36
630/160	159	160	69	431	395	500	36



PP Solydo FITTINGS

SN8



BTNyloplast
Nature's Network



Why choose for Solydo

Our Solydo PP assortment provides you with a wide range of fittings in the diameters 110mm up to 400mm. Because of these standard diameters Solydo can also be applied together with other pipe systems without the need of special adaptors. They can easily be combined with PP pipes and other accessories like Axedo inspection chambers. The completeness of the Solydo product range, including manholes and other accessories, guarantees the convenience of a one-stop-shop for customers. This helps avoid additional transport and administrative costs.

Our Solydo PP Fittings are made of 100% high modulus PP (PP-HM) and comply to SN8. PP is highly shock-resistant which makes them almost undestructable. Solydo can be applied at cold weather conditions. Together with the universal HB-fix blue ringseal connection they are easy to connect to all kind of pipes with the same diameters. This guarantees supplier independence and ensures that the continuity of the construction or building process is never endangered.

PP is very durable. Solydo pipes and fittings are made of 100% high modulus PP (PP-HM). This guarantees its strength and quality. It can be welded without loss of quality. Solydo's chemical resistance ensures that the accessories can be deployed in industrial environments. It's highly resistant against high-pressure cleaning, which guarantees reliability and minimal maintenance.

Light materials ensure a smaller ecological footprint through reduced emissions during production, transport and installation. PP is fully recyclable. Solydo has an expected lifetime of 100 years.

National and European (NF-BENOR-KOMO-EN 1852-1) quality marks provide a guarantee of proven quality.



APPLICATION AREA

Fittings for underground, non-pressurised waste water pipes [PP]



APPROVAL

Germany, Belgium, Netherlands. Check for possible exceptions



MATERIAL DESIGNATION

PP-Copolymer with high E-Modul (PPHM)



STANDARD

DIN EN 1852-1-Application UD



NOMINAL RING STIFFNESS

SN8/ S13,3/S12,5



DIAMETER

DN/OD 110mm - 400mm



COLOURS

Orange-brown RAL8023 and Grey RAL7037, special colours available on request



SEALING RING SYSTEM

HB-Fix seal



PACKAGING TYPES

Cartons on one-way pallets

PPGMM / Double Coupler

SN8/S13,3

S	DN/OD	x	L
13,3	110		
13,3	125	3	126
13,3	160		
13,3	200	5	174
13,3	250	6	224
13,3	315	7,5	259
13,3	400		



PPGU / Repair Coupler

SN8/S13,3

S	DN/OD	L
13,3	110	
13,3	125	126
13,3	160	
13,3	200	174
13,3	250	224
13,3	315	259
13,3	400	



PPGMS / Butt welding socket

SN8/S13,3

S	DN/OD	L
13,3	200	45
13,3	250	60
13,3	315	66



PPGR / Excentric reducer

SN8/S13,3

S	D	d	L	Z1
13,3	125	110	156	26
13,3	160	110	190	46
13,3	160	125	191	41
13,3	200	160	224	47
13,3	250	200		
13,3	315	250		
13,3	400	315		



PPGB / Bend 15° MF

SN8

S	DN/OD	Z1	Z2
13,3	110		
13,3	125	12	24
13,3	160	12	31
13,3	200	16,5	36
12,5	250		
12,5	315		
12,5	400		



PPGB / Bend 30° MF

SN8

S	DN/OD	Z1	Z2
13,3	110		
13,3	125	20	32
13,3	160	25	43
13,3	200	30,5	50
12,5	250		
12,5	315		
12,5	400		



PPGB / Bend 45° MF

SN8

S	DN/OD	Z1	Z2
13,3	110		
13,3	125	29	41
13,3	160	38	56
13,3	200	45,5	65
12,5	250		
12,5	315		
12,5	400		



PPGB / Bend 87,5° MF/ Bocht 87,5° Mof-Spie / Coude 87,5° - JI/M

SN8

S	DN/OD	Z1	Z2
13,3	125	65	77
13,3	160	87	104,5
13,3	200	101,5	121
12,5	250		
12,5	315		
12,5	400		



PPGB / Bend 45° FF

SN8

S	DN/OD	Z1	Z2
13,3	125		
13,3	160		



PPGB / Bend 87,5° FF

SN8

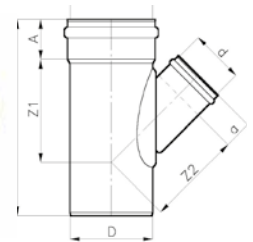
S	DN/OD	Z1	Z2
13,3	125		
13,3	160		
13,3	200		
12,5	250		
12,5	315		
12,5	400		



PPGEA / T-piece 45° FFM

SN8

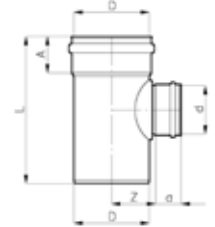
S	D	d	L	A	a	Z1	Z2
12,5	110	110					
13,3	125	125				29,5	156
12,5	160	110				36,5	201
12,5	160	125				36,5	201
13,3	160	160	396	90	90	36,5	201
12,5	200	125	465				
12,5	200	160				17	225
12,5	200	200				45,5	248
12,5	250	125	540				
12,5	250	160	625				
12,5	250	200					
12,5	250	250					



PPGEA / T-piece 90° FFM

SN8

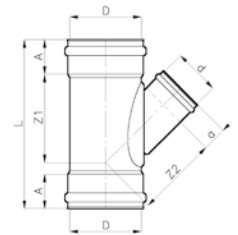
S	D	d	L	A	a	Z
13,3	110	110				
13,3	125	125				
12,5	200	125	420	94	68	152
12,5	200	160				
12,5	200	200				
12,5	250	125	550	115	68	177
12,5	250	160	565			
12,5	250	200	570	115	94	184
12,5	250	250	615			
12,5	315	125				
12,5	315	160				
12,5	315	200				
12,5	315	250				
12,5	315	315	730	134	137	228



PPGEA / T-piece 45° FFF

SN8

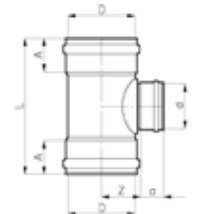
S	D	d	L	A	a	Z1	Z2	Z3
12,5	200	160	430			17	225	222
12,5	200	200	485			45,5	248	248
12,5	250	125						
12,5	250	160	640					
12,5	250	200						
12,5	250	250						



PPGEA / T-piece 90° FFF/ T-stuk 90° 3 x Mof / T-simple 90° - 3JI

SN8

S	D	d	L	A	a	Z1	Z2	Z3
12,5	200	160	580					
12,5	200	200						
12,5	250	160						
12,5	250	200						
12,5	250	250	615					



PP Solydo FITTINGS SN8



PE - HD SEWAGE FITTINGS



BTNyloplast
Nature's Network



PE - HD SEWAGE FITTINGS

Our PE-HD Sewage fittings are not only suitable for non-pressurised waste water pipes but also for cable protection. We offer a large range of products in diameter 110-200mm produced with most modern injection moulding systems in SN4/SDR26 ring stiffness. The material is high quality polyethylene-HD (high density) for the highest demands. We provide Bends in 30°, 45° and 88,5° as well as couplers in “double” and in “repair” shape.

Because of the simple and quick assembly, a smooth construction progress is ensured. The welding sockets (f/m) guarantee a permanently secure welded connection. Our high stock level enables fast and complete deliveries in the domestic as well as in the export markets.





APPLICATION AREA

Fittings for underground, non-pressurised waste water pipes [PE]



APPROVAL

Germany



MATERIAL DESIGNATION

Polyethylene - HD (high density)



STANDARD

EN 12666-1 Application UD



NOMINAL RING STIFFNESS

SN4/SDR26



DIAMETER

DN/OD 110mm - 200mm



COLOURS

Black



SEALING RING SYSTEM

SX lip seal

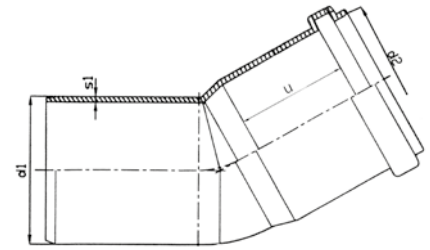


PACKAGING TYPES

Cartons on one-way pallets

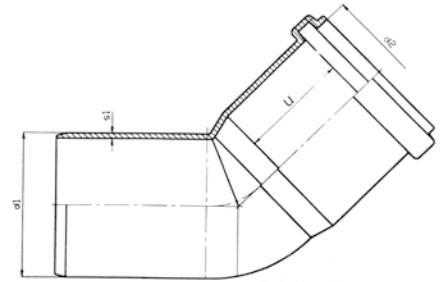
PEGB Bend 30°

DN/OD (mm)	d1	d2	u ^{min}	s1
110	110	111,1	83	4,2
125	125	126,3	85	4,8
160	160	161,6	88	6,2



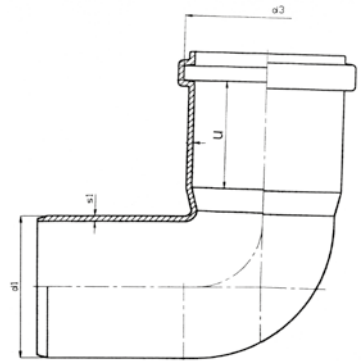
PEGB Bend 45°

DN/OD (mm)	d1	d2	u ^{min}	s1
110	110	111,1	83	4,2
125	125	126,3	85	4,8
160	160	161,6	88	6,2



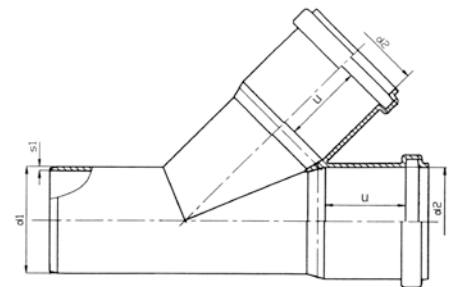
PEGB Bend 88,5°

DN/OD (mm)	d1	d2	u ^{min}	s1
110	110	111,1	83	4,2
125	125	126,3	85	4,8
160	160	161,6	88	6,2



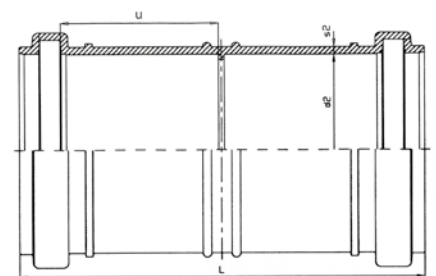
PEGEA T-Piece 45°

DN/OD (mm)	d1	d2	u ^{min}	s1
110/110	110	111,1/111,1	83/83	4,2
125/125	125	126,3/126,3	85/85	4,8
160/110	160	161,6/111,1	88/83	6,2
160/160	160			



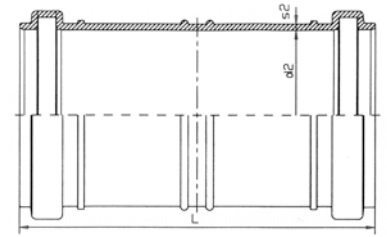
PEGMM Double coupler

DN/OD (mm)	d1	s1	u ^{min}	L
110	111,1	3,8	91	233
125	126,3	4,4	95	245
160	161,6	5,6	100	266
200	202,2	7,0	100	288



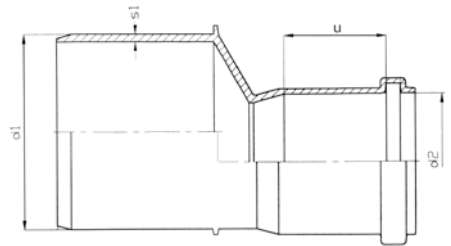
PEGU Repair coupler

DN/OD (mm)	d1	s2	L
110	111,1	3,8	233
125	126,3	4,4	245
160	161,6	5,6	266
200	202,2	7,0	288



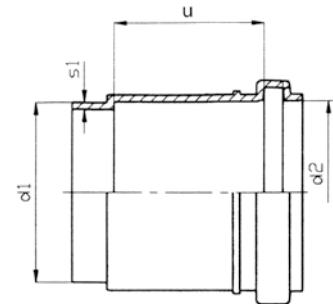
PEGR Excentric reducer

DN/OD (mm)	d1	d2	u ^{min}	s1
110/125	125	111,1	83	4,8
110/160	160	111,1	83	6,2
125/160	160	126,3	85	6,2



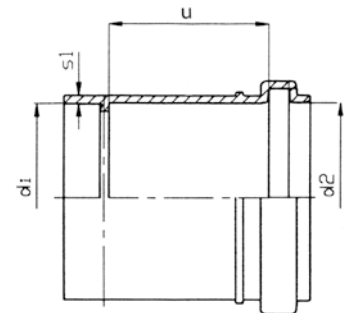
PEGMS Butt welding socket

DN/OD (mm)	d1	d2	u ^{min}	s1
110	110	111,1	91	4,2
125	125	126,3	95	4,8
160	160	161,6	100	6,2
200	200	202	100	7,7



PEGMR Rotation welding socket

DN/OD (mm)	d1	d2	u ^{min}	s1
110	110,1	111,1	91	4,2
125	125,1	126,3	95	4,8
160	160,1	161,6	100	6,2
200	200,1	202,2	100	7,7



PE - HD SEWAGE FITTINGS




ADAPTERS



BTNyloplast
Nature's Network



ADAPTERS



We offer an extensive range of adapters, suitable for various materials / pipe systems for various markets. Everything is possible, the current range runs from 50 to 573 mm. Where applicable the adapters can be supplied complete with the corresponding O-ring.

Special items are also possible on customer request. We can think along, develop and produce the required adapter. This is even possible with small numbers due to our production process.



APPLICATION AREA

Adaptors to connect a wide range of materials and pipes.



MATERIAL DESIGNATION

PVC-U



DIAMETER

DN 50mm - 573mm



COLOURS

Orange-brown RAL8023 and Grey RAL7037



SEALING RING SYSTEM

BL-Lip seal / HB-FIX seal / SK seal



PACKAGING TYPES

Palletcarton / Cartons on one-way pallets / Carton boxes

ADAPTERS

KGUS Clay Pipe Adapter

(clay pipe spigot)

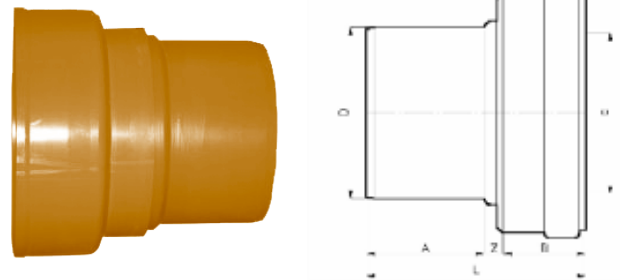
D	d2	d3	L1	L
110	138	156,1	60	151
125	163	186,1	67	172
160	193	216,3	81	207
200	249	278,2	99	248



KGUS Clay Pipe Adapter

(clay pipe spigot)

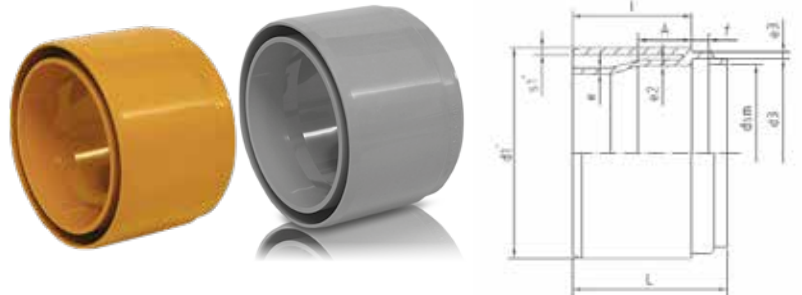
D	d	d3	L	A	B	Z
250	250	317	332	125	84	95



KGUSM Clay Pipe Adapter

(clay pipe socket)

D	d1	L	lmin
110	132	90	70
125	160	92	70
160	187	97	70
200	242	100	70

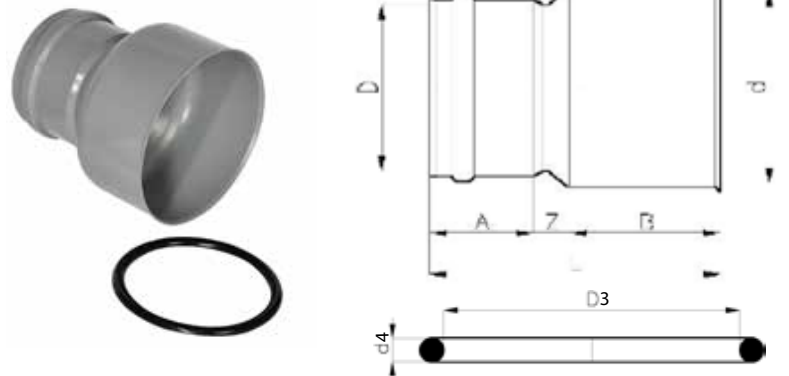


KGUG Clay pipe Adapter

(clay pipe spigot)

D	d	D3	d4	L	A	B	Z
110	180	148	12	210	70	80	60
125	180	148	12	215	75	80	60
125	206	174	12	260	75	110	70
160	206	174	12	240	85	115	40

D3 and d4 are dimensions of to be used O-rings.

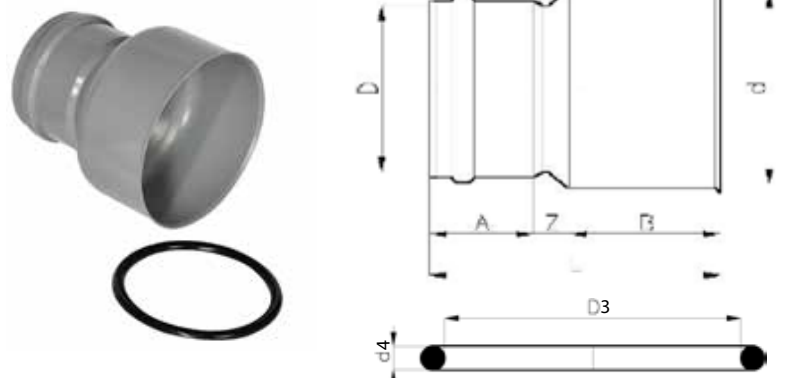


KGUG Cast Iron Adapter

(CI pipe spigot)

D	d	D3	d4	L	A	B	Z
110	157	125	12	210	70	105	35
125	157	125	12	205	75	100	30
160	184	148	12	240	85	125	30
200	232	174	12	275	100	135	40

D3 and d4 are dimensions of to be used O-rings.

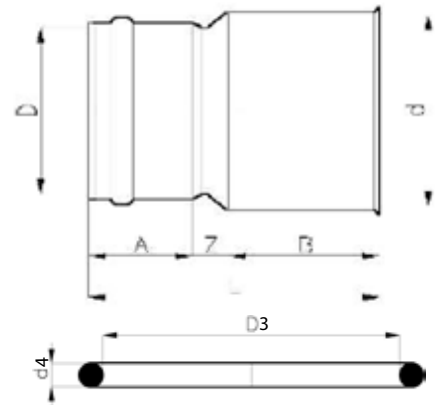


KGUG A.C. Pipe Adapter

(AC pipe spigot)

D	d	D3	d4	L	A	B	Z
110	161	148	12	210	70	100	40
125	161	148	12	205	75	100	30
160	188	148	12	240	85	125	30

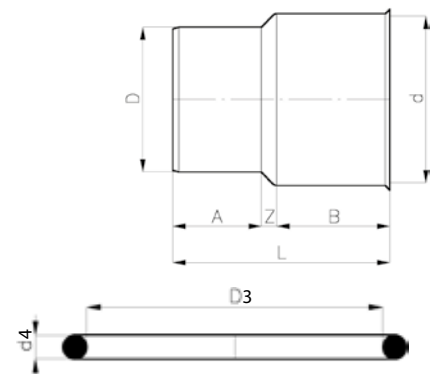
D3 and d4 are dimensions of to be used O-rings.



KGUG Shrink-on Adapter MF

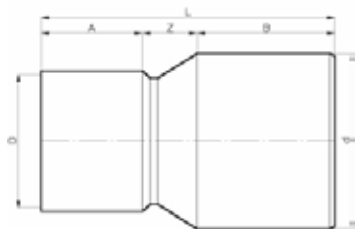
(Male/Female)

D	d	D3	d4	L	A	B	Z
50	69	49	6	140	45	65	30
75	88	74	6	135	55	65	15
110	121	109	7	170	75	85	10
125	148	124	8	200	80	95	25
160	174	159	9	230	100	110	20



Rainwater – PVC Sewer Adapter

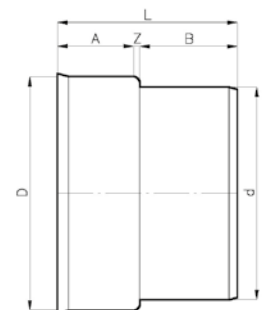
D	d	L	A	a	Z
60	70	99	40	52	7
60	80	99	39	48	12
70	80	99	33	59	7
70	100	125	45	63	17
80	100	125	50	63	12



Ultra Rib – PVC Sewer Adapter FM

(Female/Male)

D	d	L	A	B	Z
170 *	160	231	92	110	11
225 *	200	220	85	100	35
250 *	250	260	110	135	15
280	250	280	130	135	15
335	315	310	150	145	15



* Also available in FxF

ADAPTERS

X-Stream – PVC Sewer Adapter FM

(Female/male)

D	d	L	A	B	Z
225 *	200	220	85	100	35
282 *	250	236	89	125	22
338 *	315	247	86	132	29
450	400	345	127	175	43
573	500	460	170	260	30

* Also available in FxF

Ultra Kyma - PVC Sewer Adapter FM

(Female/male)

D	d	L	A	B	Z
340	315	355	160	180	15

Twinwall - PVC Sewer Adapter FM

(Female/male)

D	d	L	A	B	Z
178 / 180	160	230	93	125	12

Multi Range Flex Adapter FF

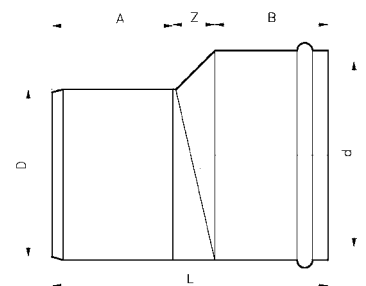
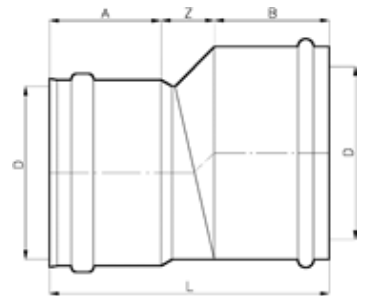
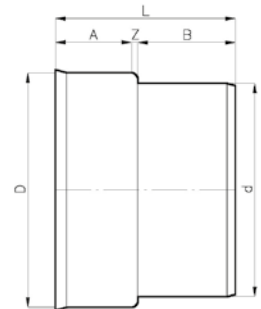
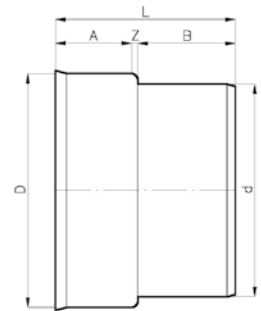
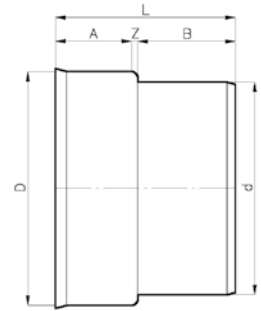
(Female/female)

D	d	L	A	B	Z
125	125 / 130	245	85	95	65

Multi Range Flex Adapter MF

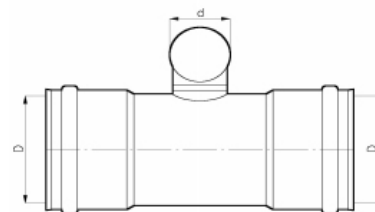
(Male/female)

D	d	L	A	B	Z
160	160 / 174	285	110	130	45



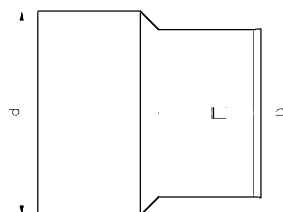
Drain-sewer adapter FxFxFxF

D	d
125	60
125	65
125	80
160	50
160	60
160	80



Adapter for drain pipe FxF

D	d
50	80
50	125
60	80
60	125
65	80
65	110
65	125
80	100
80	110
80	125
100	110
100	125





SHAFT CONNECTORS



BTNyloplast
Nature's Network



PUSH-IN AND CAST-IN CONNECTORS

Cast-in connectors are casted into a chamber or pipe during the production process. Alternatively they may be bricked in and luted in an oversized hole afterwards. Push-in connectors are always applied afterwards. They are pressed into a drilled hole with a certain diameter (and little tolerance).

BT Nyloplast produces push-in and cast-in connectors for horizontal as well as vertical applications. Push-in and cast-in connectors for vertical applications are fitted with a reinforced stop to be able to resist pressure load (40kN according to Dutch norms). Moreover they are fitted with a special rubber gasket which enables easy fitting of a standpipe (which must not be beveled off!).

Push-in and cast-in connectors for horizontal applications come either with or without a stop, depending on fitting ease versus norms or local custom. Absence of a stop may result in easier fitting and a higher expansion tolerance.

Concrete connectors may be sand-coated for improved attachment to concrete.

Concrete connectors may be fitted with a flange, which creates a longer 'water passage' and protects the connector against deformation. A flange may be fitted either at the beginning, halfway or at the end of the connector. Another possibility is to apply more than one flange to the connector. Concrete connectors for horizontal and vertical applications are also available in flexible versions. In this case the sleeve is widened after the ring chamber, enabling 6° angular movement in all directions. Concrete connectors for horizontal and vertical applications may be fitted with a radially tapering starting or ending lead, which will eliminate projection or protrusion from the concrete wall.





APPLICATION AREA

Pipe connectors to concrete manholes or masonry; wall penetrations



APPROVAL

Germany, Netherlands, Belgium, Hungary and Romania
Check for possible exceptions



MATERIAL DESIGNATION

Polystyrene PS + S/B, Acrylnitril-Butadine-Styrol (Acrylonitrile butadiene styrene), PVC-U



STANDARD

Test and monitoring regulation HR 3.23 of the SKZ, BRL 9206



DIAMETER

DN 100 - 630mm



COLOURS

White, beige, black, grey RAL7037, orange brown RAL8023



SEALING RING SYSTEM

BL lip seal / sliding wedge seals / SK fix seal



PACKAGING TYPES

in packs or in cartons, or on one-way paletts wrapped in shrink-foil in different pcs/unit

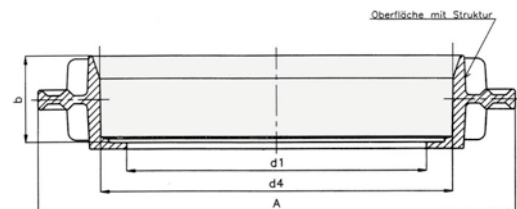
BKK-A RING (with stop) for clay pipe connection with socket K and S to connection system C

Advantages of the BKK-A ring: the stop is matched to the clay pipe inner diameter, possibility of paving gutters without additional gauge. No need for additional work in the facing area of the gutter. The dimensional accuracy of the BKK-A ring,

especially the dimension d_4 , must be ensured during shaft production. DN 200, 250 and 300 from Polystyrene, DN 400, 500 and 600 from Acrylonitrile butadiene styrene/GF. Suitable for clay pipes to **DIN EN 295**.

BKK-A-Ring for clay pipe connections

DN	d_1	d_4	A	b	TKL
200 N	202,0	260,0	340,0	54,0	160
200 H	202,0	275,0	363,0	54,0	240
250 N	252,0	317,5	398,0	54,0	160
250 H	252,0	341,5	423,0	54,0	240
300 N	302,0	371,5	453,0	54,0	160
300 H	302,0	398,5	483,0	54,0	240
400 N	400,0	507,5	589,0	54,0	160
400 H	400,0	515,5	597,0	54,0	200
500 N	499,0	605,0	690,0	75,0	120
500 H	499,0	637,0	730,0	75,0	160
600 N	600,0	720,0	825,0	80,0	95
600 H	600,0	758,0	845,0	80,0	160

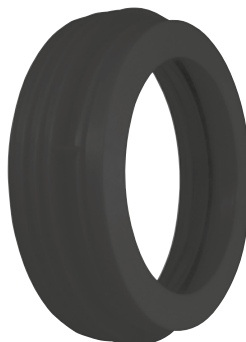
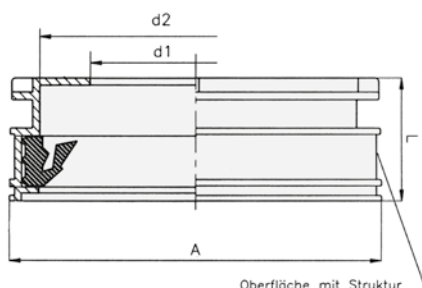


KGSM shaft connector for clay pipe connection with socket L to connection system F

Very good adhesion to the surrounding concrete due to the outer shape and surface texture, providing a waterproof connection. High inherent stability, low weight. Stop as guide for gutter installation. Good cleaning possibility due to loosely inserted seals.

KGSM for clay pipe connection

DN	d_1	d_2	A	b	TKL
150	152	199	230	70	34
200	201	255	293	80	160



TECHNICAL ADVANTAGES:

- Direct connection of clay pipes DN 150 and 200, insert sleeve L
- Very high inherent stability of the KGSM
- Tight connection to the requirements of DIN EN 1917 and DIN V 4034-1
- Easy installation for shaft bottom production, stop as guide for gutter installation, and easy pipe-fitting on the construction site.
- Cost-saving due to the omission of transition components such as jointed adapter pieces or fitting rings for pipe connection.
- Suitable for clay pipes to **DIN EN 295**.

KGF shaft connector for PVC-KG pipe connection

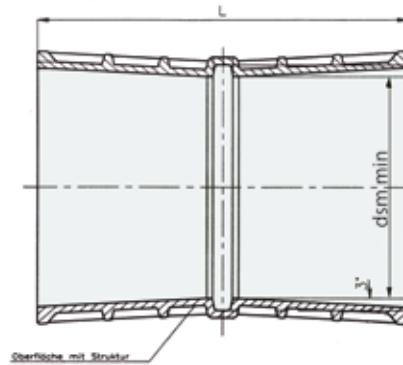
Very good waterproof adhesion to the surrounding concrete due to the profiling and textured surface. Easy introduction of the pipe guaranteed (angle $\pm 3^\circ$). High impact resistance and low weight. The seals approved for KG pipes are used.

Suitable for PVC sewer pipes to **DIN EN 1401-1**.

Information on the availability of special length of KGF shaft connectors is available on request.

KGF Shaft connector

DN/OD	dsm _{min}	L
110	110,4	80/110/240
125	125,4	80/110/240
160	160,5	65/80/90/110/240
200	200,6	80/110/240
250	250,8	80/110/240
315	316,0	80/110/240
400	401,2	80/110/240
500	501,5	80/110/240



KGE Shaft connector for PVC-KG pipe connection

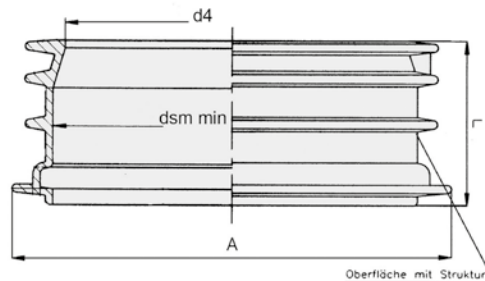
Very good adhesion to the surrounding concrete due to the outer shape and surface texture, providing a waterproof connection. Low weight.

The seals approved for KG pipes are used.

Suitable for PVC sewer pipes to **DIN EN 1401-1**.

KGE for PVC-KG pipe connections

DN/OD	A	dsm _{min}	d4	L
110	140	110,4	103,4	67
125	155	125,4	118,4	72
160	210	160,5	152,2	86
200	239	200,6	190,3	103



PEGSF shaft connector for PE-HD pipe connection

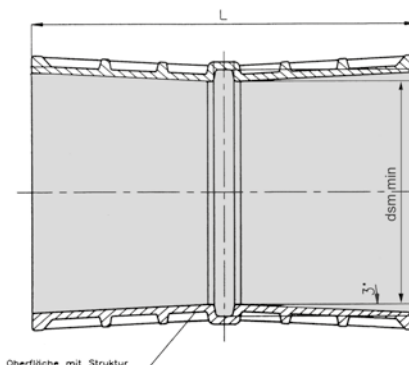
Very good waterproof adhesion to the surrounding concrete due to the profiling and textured surface. Easy introduction of the pipe guaranteed (angle $\pm 3^\circ$).

High impact resistance and low weight. The seals approved for KG pipes are used.

Suitable for PE-HD sewer pipes to **DIN EN 12666**.

PEGSF shaft connector light grey

DN/OD	dsm _{min}	L
110	111,1	80/110/240
125	126,3	80/110/240
160	161,6	80/90/110/240
200	202,2	80/110/240



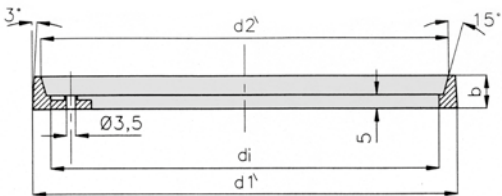
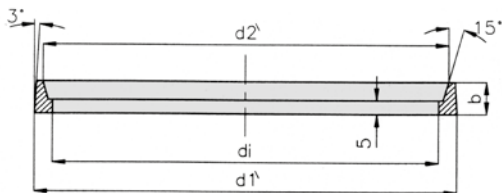
SHAFT CONNECTORS

Insert Ring / Fixing Aid for KGF and PEGSF length 90 and 110 mm

DN/OD	d1	d2	di	b
110	114,7	110,3	104,0	11
125	129,6	125,3	119,0	11
160	164,4	160,4	152,8	12
200	204,4	200,4	191,0	14

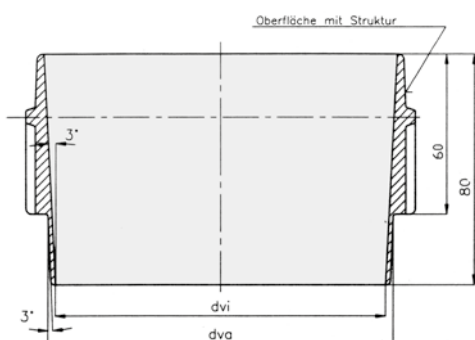
Insert Ring / Fixing Aid for KGF and PEGSF length 240mm and extension

DN/OD	d1	d2	di	b
110	121,7	110,3	104,0	11
125	136,6	125,3	119,0	11
160	171,3	160,4	152,8	12
200	211,2	200,4	191,0	14



Extension for KGF and PEGSF

DN/OD	dvi	dva
110	113,4	121,8
125	128,3	136,7
160	163,1	171,5
200	203,0	211,4



Insert ring for KGF and PEGSF Shaft connector and extension



The fitting ring prevents the penetration of concrete between the shaft connector and core during production of the shaft. It then serves as a guide for the installation of the gutter. The accurate adjustment of the ring to the inner pipe diameter ensures a smooth transition from the shaft gutter to the PVC-KG or PE-HD drainage pipe.

Fixing aid for KGF and PEGSF Shaft connector and extension



The fixing aid is attached accurately to the formwork by means of nails. The shaft connector is then placed on the fixing ring and therefore positioned accurately. The fixing aids are reusable.

Extension 60 mm for KGF and PEGSF length 240 mm

The same favourable material characteristics and connection effects as the KGF-S/B shaft connector. Easy extension of the shaft connector in steps of 60 mm to 300 mm, 360 mm etc.



URF shaft connector for ULTRA-RIB-pipes 1 and 2 (Plug-connection)

Very good adhesion to the surrounding concrete due to the outer shape and surface texture, providing a waterproof connection. Retaining cores of other pipe types can be used for the installation of the URF-S/B through the use of a slotted

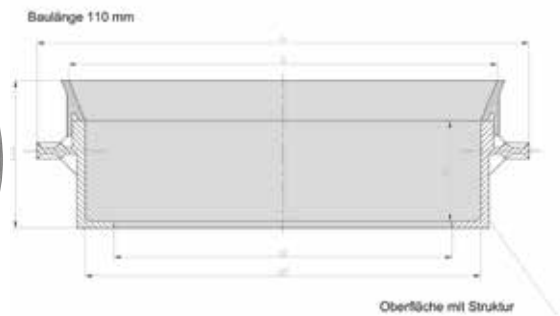
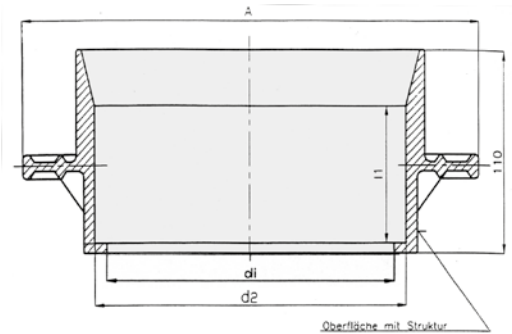
Ultra-Rib pipe section as an adapter. German dimensions to **DIN 16961**, Notices A 7.1.12 and A 7.4.12.

URF shaft connector

DN	di _{min}	d2	A	l1
150	150	170,7	253,0	60
200	199	225,8	309,3	75
250	249	281,0	362,6	85
300	298	336,2	419,0	95
400	399	451,5	534,0	95

VBR PRAGMA shaft connector length 110mm

DN	di	d2	l1	A
200	201	230,5	90	309
250	251	287,6	90	367
300	301	346,4	90	422
400	402	461,5	95	534



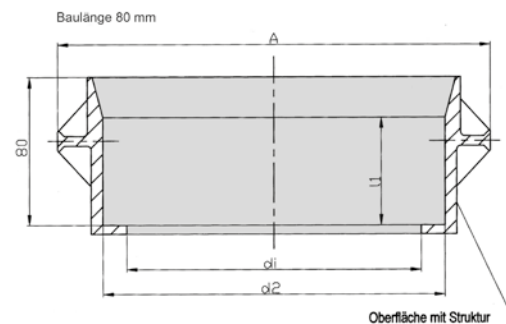
VBR shaft connector for corrugated pipes

High inherent stability, very good adhesion to the surrounding concrete and safety against water penetrating behind due to the proven shape and surface texture. Stop for gutter attachment.

Suitable for connecting different corrugated pipes from several pipe producers. We gladly inform you about the possibilities for all VBR Shaft connectors listed.

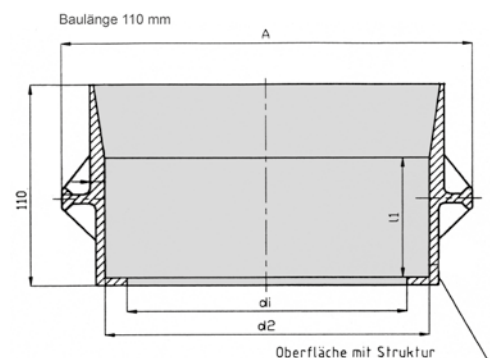
VBR shaft connector length 80mm

DN	di	d2	l1	A
150	151	175,5	55	222



VBR shaft connector length 110mm

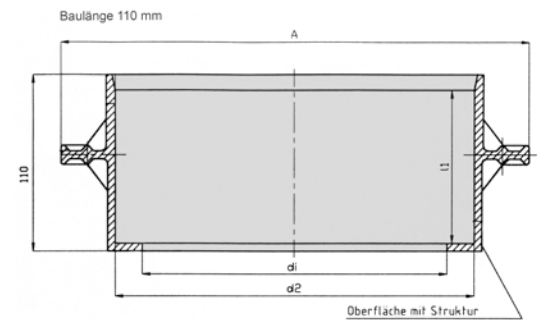
DN	di	d2	l1	A
150	151	175,5	65	222
200	201	237,1	75	309
250	251	295,0	80	367
300	301	348,3	95	422
350	346	401,3	95	477



SHAFT CONNECTORS

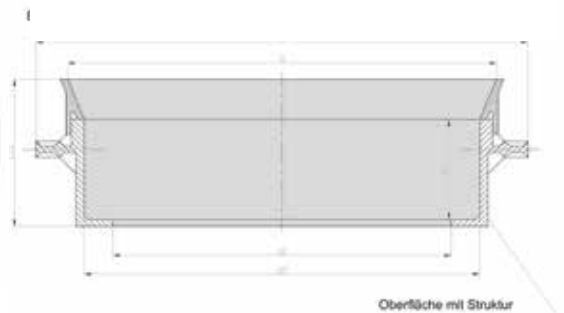
VBR-Hegler pipe connector length 110mm (color grey)

DN	di	d2	l1	A
300	301	354,5	70	428



VBR black/white shaft connector length 110mm

DN	di	d2	l1	D	A
200	201	237,1	75	256	309
250	251	295,0	75	322	367
300	301	348,3	75	377	422
350	346	401,3	75	430	477



VBR PRAGMA Shaft connector for PP-Pragma 10 Pipe, ID (Inner Diameter orientated)

For the size DN 150 Pragma pipe, our standard VBR Shaft Connector (previous page) can be used.

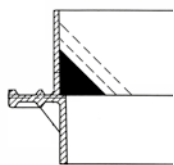
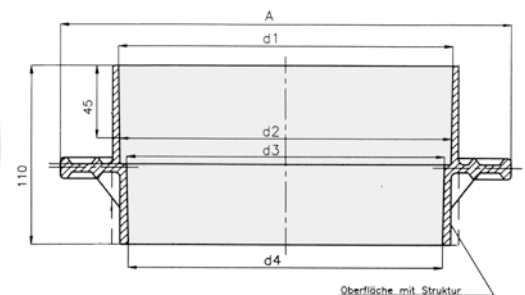
UNI-F Universal shaft connector for cast iron pipes, SML pipe, GFK pipe, PE-HD pipe

One single part, suitable for various pipe types. Different sealing rings compensate for the differences in the pipe outer diameters.

Through cost-efficient mounting, you can react quickly and flexibly to the special requirements of your customers.

UNI-F universal shaft connector

DN	d1	d2	d3	d4	A
150	205,1	202,0	186,0	185,0	245,0
200	251,2	248,0	234,2	232,4	321,2
250	303,5	300,4	289,3	287,6	373,5
300	354,9	351,8	340,7	339,0	426,9
400	453,0	450,0	437,0	435,0	534,0



The gutter must be attached in the shaft according to the inner diameter of the type of pipe to be connected. All pipe types must be provided with a bevel at the ends in accordance with the relevant works standard before insertion into the shaft connector, in order to prevent damage to the seal.

Stop guides for gutter attachment and adapters for automatic installation with your existing retaining cores are available on request.

Information on seal selection can be found in the table on the next page.



SEAL SELECTION FOR UNIVERSAL SHAFT LINING UNI-F

seal selection »CORDES CK - 89« Quality: SBR

Nominal diameter DN 150	SEAL FOR	PE-HD PIPE DIN 8074/8075 DIN EN 12666	D.GUSS PIPE DIN EN 598	PE-HD PIPE DIN 8074/8075
		SML PIPE DIN EN 877	GFK PIPE DIN 16868/69 Serie 2 DIN 19565	
	PIPE OUTER DIAMETER	158,0 – 162,0 mm	166,8 – 171,0 mm	180,0 – 181,7 mm
	SEAL SIZE / CUT LENGTH	28/590	23/595	14/625

Nominal diameter DN 200	SEAL FOR	PE-HD PIPE DIN 8074/8075 DIN EN 12666	SML PIPE DIN EN 877	D.GUSS PIPE DIN EN 598	PE-HD PIPE DIN 8074/8075
				GFK PIPE DIN 16868/69 Serie 2 DIN 19565	
	PIPE OUTER DIAMETER	200,0 – 201,8mm	208,0 – 212,0mm	219,0 – 223,0mm	225,0 – 227,1mm
	SEAL SIZE / CUT LENGTH	30/750	26/750	20/750	17/760

Nominal diameter DN 250	SEAL FOR	PE-HD PIPE DIN 8074/8075 DIN EN 12666	D.GUSS PIPE DIN EN 598	PE-HD PIPE DIN 8074/8075
			GFK PIPE DIN 16868/69 Serie 2 DIN 19565	
			SML PIPE DINEN877	
	PIPE OUTER DIAMETER	250,0 – 252,3mm	270,9 – 276,5 mm	280,0 – 282,6mm
	SEAL SIZE / CUT LENGTH	30/890	20/940	14/950

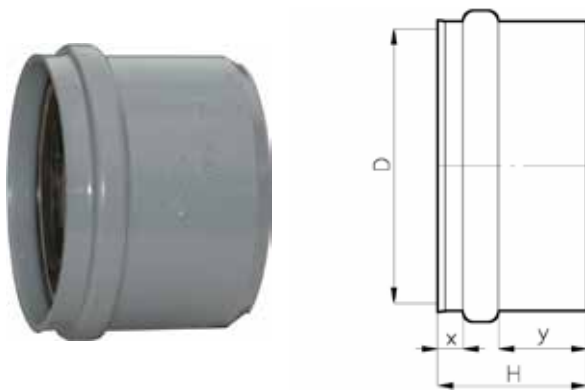
Nominal diameter DN 300	SEAL FOR	PE-HD PIPE DIN 8074/8075 DIN EN 12666	D.GUSS PIPE DIN EN 598	SML PIPE DIN EN 877
			GFK PIPE DIN 16868/69 Serie 2 DIN 19565	
	PIPE OUTER DIAMETER	315,0 – 317,9mm	322,7 – 327,0 mm	323,5 – 328,5mm
	SEAL SIZE / CUT LENGTH	26/1070	20/1090	19/1090

Nominal diameter DN 400	SEAL FOR	PE-HD PIPE DIN 8074/8075 DIN EN 12666	GFK PIPE DIN 16868/69 Serie 2 DIN 19565	D.GUSS PIPE DIN EN 598	SML PIPE DIN EN 877
	PIPE OUTER DIAMETER	400,0 – 403,8mm	426,0 – 427,6 mm	425,5 – 431,0mm	
	SEAL SIZE / CUT LENGTH	36/1340	17/1400	16/1400	

SHAFT CONNECTORS

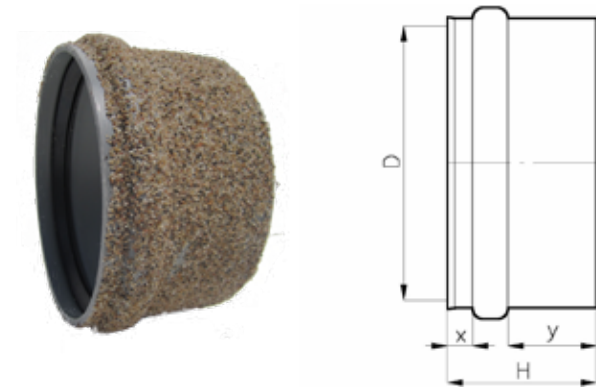
Cast-in connector without stop

D	H	x	y
110	100	13	73
125	100	14	70
160	100	17	64
200	100	20	58
250	100	22	45
315	100	21	40
400	100	23	32
500	150	30	66
630	100	17	18
630	121	20	36



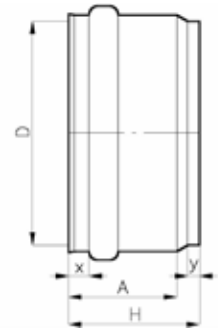
Cast-in connector without stop, sanded

D	H	x	y
110	80	13	53
125	85	14	55
160	95	17	59
200	115	20	74
250	135	22	80
315	155	21	95
400	150	20	85
500	225	30	141
630	200	36	99



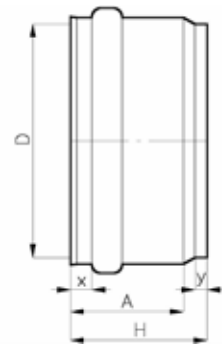
Cast-in connector with stop

D	H	A	x	y
110	72	60	7	1
125	80	70	10	1
160	95	80	17	1
200	112	95	19	2
250	134	110	22	2
315	148	125	16	2
400	185	155	27	5
500	225	190	30	6
630	240	205	41	5



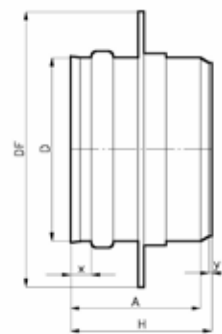
Cast-in connector with stop, sanded

D	H	A	x	y
110	100	90	13	1
125	100	90	14	1
160	95	80	17	1
200	112	95	19	2
250	134	110	22	2
315	148	125	16	2
400	185	155	27	5
500	225	190	30	6



Cast-in connector with stop, flange center

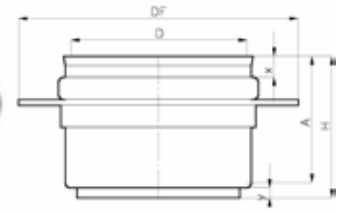
D	H	A	x	y	DF
110	72	65	7	1	200
125	100	90	14	1	200
125	120	70	10	40	200
160	100	85	16	1	240
200	112	95	19	2	330
250	130	110	18	2	330
315	150	125	18	2	400
400	180	155	21	5	500
500	225	190	30	6	660
630	200	165	1	5	800



SHAFT CONNECTORS

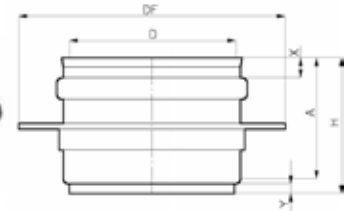
Cast-in connector with reinforced stop flange groove

Class	D	H	A	x	y	DF
40kN	125	78	63	8	9	200
40kN	160	78	63	7	9	240



Cast-in connector with reinforced stop flange center

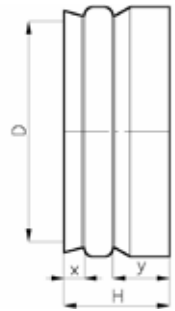
Class	D	H	A	x	y	DF
40kN	125	78	63	8	9	200
40kN	160	78	63	7	9	240



Flex cast-in connector without stop

D	H	x	y
110	70	13	43
125	75	14	45
160	85	16	49
200	95	20	35
250	100	23	47
315	140	18	87
400	98	25	28
500	138	25	59

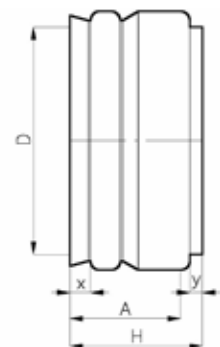
angularity 6°



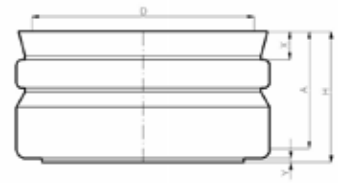
Flex cast-in connector with stop

D	H	A	x	y
110	70	65	5	2
125	100	90	14	1
160	100	90	7	1
200	98	85	5	3
250	98	85	5	6
315	98	85	5	7

angularity 6°



Flex cast-in connector with reinforced stop



Class	D	H	A	x	y
40kN	125	60	50	3	4
40kN	160	63	50	6	0

Cast-in connector with stop

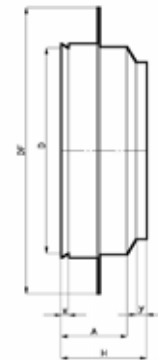
for ultra rib/X-stream



Class	D	H	A	x	y
SDR34	225	100	85	11	0
SDR41	282	100	86	13	0
SDR41	282	110	86	12	10
SDR41	282	120	86	12	20
SDR41	282	150	86	12	50
SDR41	282	155	86	12	55
SDR41	338	100	94	12	0
SDR41	338	120	94	12	10
SDR41	338	150	94	12	40
SDR41	338	155	94	12	45
SDR41	450	150	127	20	0
SDR41	450	200	127	20	48
SDR41	573	200	170	27	0

Cast-in connector with stop flange center

for ultra rib/X-stream

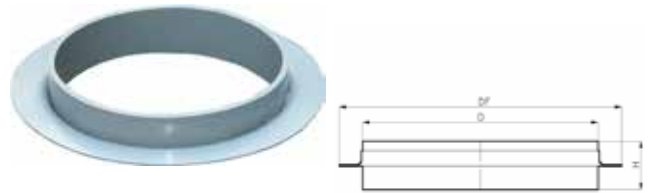


Class	D	H	A	x	y	DF
SDR34	225	100	85	11	0	330
SDR41	282	98	86	12	0	374
SDR41	282	100	86	12	0	374
SDR41	282	110	86	12	10	374
SDR41	282	120	86	12	20	374
SDR41	282	140	86	12	40	374
SDR41	282	145	86	12	45	374
SDR41	282	150	86	12	50	374
SDR41	338	98	94	12	0	452
SDR41	338	100	94	12	0	452
SDR41	338	110	94	12	0	452
SDR41	338	120	94	12	10	452
SDR41	338	145	94	12	35	452
SDR41	338	150	94	12	40	452
SDR41	450	150	127	20	0	660
SDR41	450	195	167	24	0	540
SDR41	450	200	127	20	48	660
SDR41	573	200	170	27	0	800

SHAFT CONNECTORS

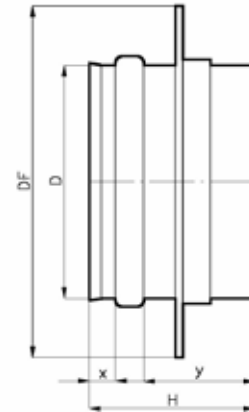
Cast-in liner for X-stream socket flange center

D	H	DF
500	100	660
500	110	660
500	120	660



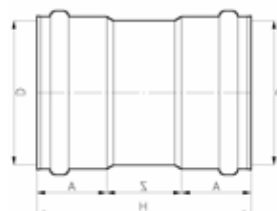
Wall sleeve without stop flange and sanded

D	H	x	y	DF
110	240	14	212	200
110	300	14	272	200
110	350	14	322	200
125	240	6	218	200
125	300	6	278	200
125	350	6	328	200
125	400	6	378	200
125	500	6	478	200
160	240	8	213	240
160	300	8	273	240
160	350	8	323	240
160	400	8	373	240
160	500	8	423	240
200	200	21	157	330
200	240	21	197	330
200	300	21	257	330
200	350	21	307	330
200	400	21	357	330
250	240	22	185	400
250	300	22	245	400
250	350	22	295	400
315	240	22	179	500
315	300	22	239	500
315	350	22	289	500
400	240	29	166	600
400	300	29	226	600
400	350	29	276	600
500	240	30	156	660
500	300	30	216	660
500	350	30	266	660
630	200	40	95	800
630	240	40	135	800
630	300	40	195	800



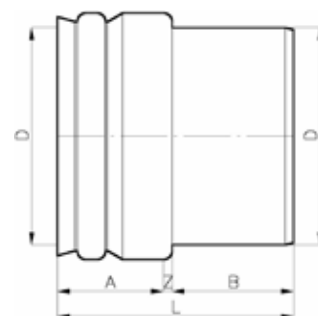
Double socketed pipe/wall sleeve

Class	D	H	A	Z
SDR41	110	410	70	270
SDR41	110	420	70	280
SDR41	125	420	75	270
SDR41	160	460	85	290
SDR41	160	460	85	290
SDR41	200	530	100	330
SDR41	200	570	100	370
SDR41	250	630	120	390
SDR41	250	670	120	430
SDR41	250	1300	120	1060
SDR41	315	770	135	500
SDR41	315	800	135	530
SDR41	315	1300	135	1030
SDR41	400	840	145	550
SDR41	500	995	190	615
SDR34	160	250	85	80
SDR34	200	250	100	50



Flex socket/spigot with stop

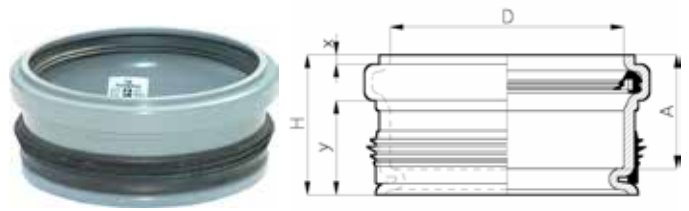
Class	D	L	A	B	Z
SDR41	110	135	70	50	15
SDR41	110	165	70	80	15
SDR41	125	140	75	50	15
SDR41	125	170	75	80	15
SDR41	160	150	85	50	15
SDR41	160	180	85	80	15
SDR41	200	170	100	50	20
SDR41	200	200	100	80	20
SDR41	250	190	120	50	20
SDR41	250	220	120	80	20
SDR41	315	210	135	50	25
SDR41	315	240	135	80	25
SDR41	315	290	135	130	25
SDR41	315	375	135	215	25
SDR41	400	245	165	50	30
SDR41	500	285	140	130	15



SHAFT CONNECTORS

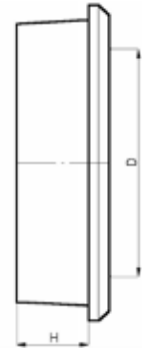
Push-in connector with reinforced stop concrete

Class	D	H	A	x	y	Bore	Tol	Miller
40kN	125	76	55	4	52	143.2	-0.7	154
40kN	160	77	57	4	51	179.2	-0.7	191
15kN	125	75	55	4	53	141	-0.7	152
15kN	160	77	60	4	53	177.6	-0.7	189



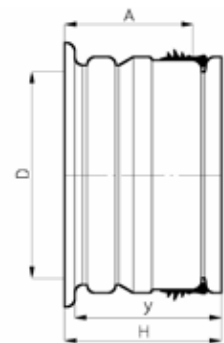
Sealing ring system F910

D	d	d3	e	H
50	75	77	20	50
63	89	90	20	50
75	101	102	20	50
110	138	142	21.5	50
125	151	154	20	50
160	186	190	20	50
170	196	202	20	50
186	212	217	20	50
200	226	233	20	50
242	268	276	20	50
250	276	287	20	50
315	341	351	20	50
400	426	439	20	50
500	526	544	20	50
630	658	678	20	50
630	670	690	26.6	49



Flex push-in connector with stop

D	H	A	x	y	Bore	Top
125	95	70	14	89	146.2	-0.7
160	95	75	16	85	185.5	-0.7
200	115	90	20	105	230	-1.0
250	128	115	8	120	300	-1.0

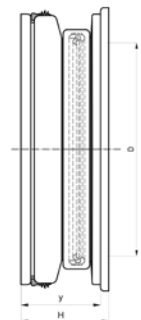


angularity 6°

Flex push-in connector without stop

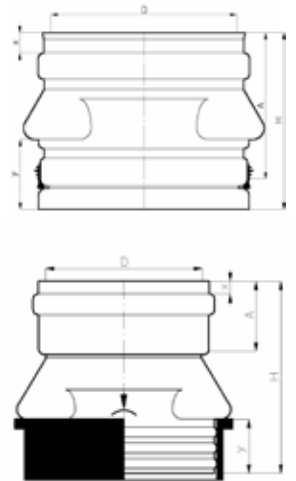
D	H	x	y	Bore	Top
110	95	15	88	146	-0.7
315	129	12	117	400	-1.0

angularity 6°



Universal push-in connector with reinforced stop

Class	D	H	A	x	y	Bore	Top
40kN	200	190	150	22	70	230	-1.0
40kN	160	202	65	16	55	201	-2.0





Axedo INSPECTION CHAMBERS



BTNyloplast
Nature's Network



Axedo- THE SAFE SOLUTION

The AXEDO PP inspection chambers are designed to be installed at depths of up to 6m according to EN13598-2. They are used as a base for inspection chambers for many purposes in non-pressure sewage systems.

The AXEDO base units are available in three dimensions:

- $\varnothing 315\text{mm}$ for smooth riser pipes
- $\varnothing 355\text{mm}$ for corrugated riser pipes DN300
- $\varnothing 400\text{mm}$ for smooth riser pipes

and come with various flow profiles, channel configurations and with several ring sealed connections in diameters 110, 160, 200 and 250mm and will fit to all main pipe systems including PP, PVC, HDPE twin wall and clay. Other pipe systems and sizes can be accommodated with the use of adaptors or inlet reducers.

FEATURES & BENEFITS

- Fully rubber ring-sealed system
- Lightweight & ease of installation
- Chemical & corrosion resistant
- Safe inspection & maintenance
- Made out of 100% Recycled PP
- Adaptable to all pipe types
- Wide choice of flow profiles and sizes
- Install up to 6 metres deep



APPLICATION AREA

Non-accessible inspection shafts for underground, non-pressurised waste water pipes



APPROVAL

Germany, Czech Republic, Hungary, Romania, Belgium, Nordic. Check for possible exceptions



MATERIAL DESIGNATION

PP-Copolymer, PVC-U



STANDARD

EN 1852-1, EN 13598-1/EN 13598-2. Check for possible exceptions



NOMINAL RING STIFFNESS

max. installation = 4m / max. installation Axedo 600 = 6m



DIAMETER

Dia. 160, 200mm with inlets/outlets 110, 160, 200mm

Dia. 315, 355 and 400 mm with inlets/outlets 110, 160, 200 and 250mm

Dia. 600mm with inlets/outlets 160, 200, 250, 315 and 400mm



COLOURS

Black RAL9011, Orange-brown RAL8023, Grey RAL7037



SEALING RING SYSTEM

BL, LSP (welded version) and SK-Fix seal



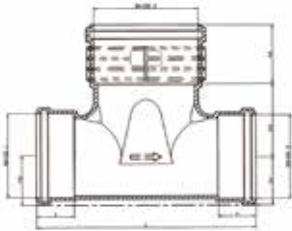
PACKAGING TYPES

On one-way pallets wrapped in film

KGET PP Cleaning piece (FxF)

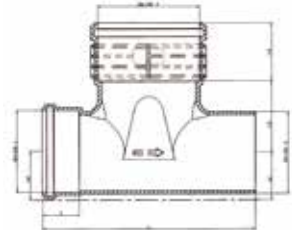
without foot

DN/OD (mm)	1	2	3	h1	h2	h3	h4	t	L
110	200	110	64,0	67,0	140,6	113,4	56,1	380,0	
160	160	160	92,1	95,1	142,1	96,9	71,9	420,0	
160	200	160	92,1	95,1	140,6	113,4	71,9	420,0	
200	200	200	114,4	117,4	140,6	113,4	84,4	450,0	


**KGET PP Cleaning piece (MxF)**

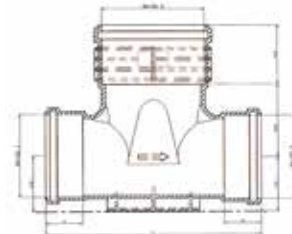
without foot

DN/OD (mm)	1	2	3	h1	h2	h3	h4	t	L
110	200	110	64,0	67,0	140,6	113,4	56,1	380,0	
160	160	160	92,1	95,1	142,1	96,9	71,9	420,0	
160	200	160	92,1	95,1	140,6	113,4	71,9	420,0	
200	200	200	114,4	117,4	140,6	113,4	84,4	450,0	


**KGET PP Cleaning piece (FxF)**

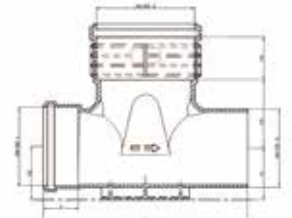
with foot

DN/OD (mm)	1	2	3	h1	h2	h3	h4	t	L
110	200	110	74,0	77,0	140,6	113,4	56,1	380,0	
160	160	160	105,0	108,0	142,1	96,9	71,9	420,0	
160	200	160	105,0	108,0	140,6	113,4	71,9	420,0	
200	200	200	125,0	128,0	140,6	113,4	84,4	450,0	


**KGET PP Cleaning piece (MxF)**

with foot

DN/OD (mm)	1	2	3	h1	h2	h3	h4	t	L
110	200	110	74	77	140,6	113,4	56,1	380,0	
160	160	160	105	108	142,1	96,9	71,9	420,0	
160	200	160	105	108	140,6	113,4	71,9	420,0	
200	200	200	125	128	140,6	113,4	84,4	450,0	




Plastic covers for following riser pipe diameters

DN/OD (mm)

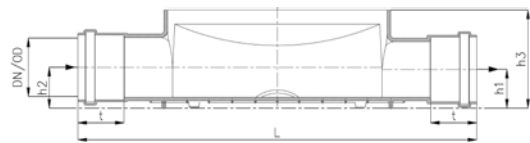
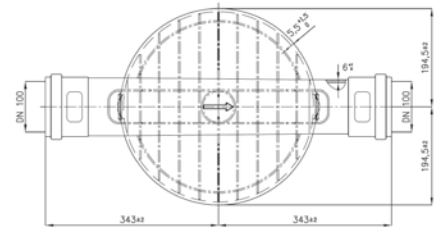
- 160
- 200
- 250
- 315
- 400



PP Inspection chamber lower section

G=Straight DN/OD 400mm

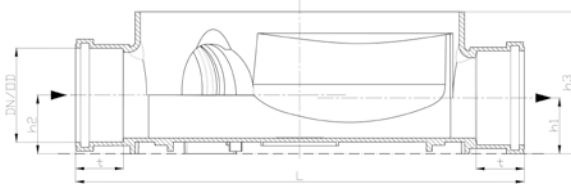
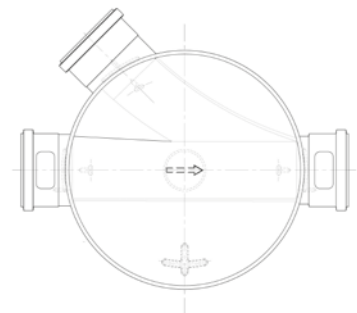
DN/OD	t	h1	h2	h3	L
110	79	66,5	70	168	685
160	91	94	97,5	220,5	685
200	109	116,5	120	268	685



PP Inspection chamber lower section

MR=Middle/Right DN/OD 400mm

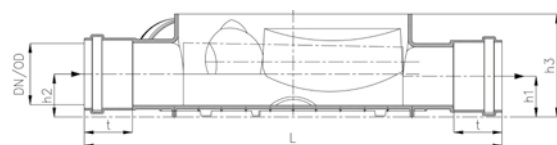
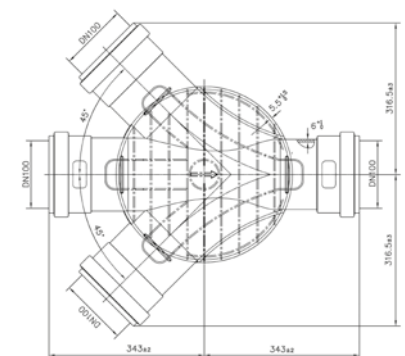
DN/OD	t	h1	h2	h3	L
110	56	66,5	70	168	530



PP Inspection chamber lower section

RML=Right/Middle/Left DN/OD 400mm

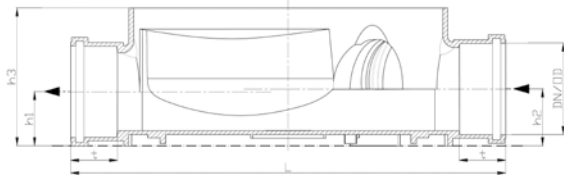
DN/OD	t	h1	h2	h3	L
110	79	66,5	70	168	685
160	91	94	97,5	220,5	685
200	109	116,5	120	268	685



PP Inspection chamber lower section

ML=Middle/Left DN/OD 400mm

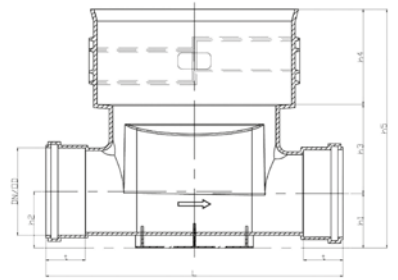
DN/OD	t	h1	h2	h3	L
110	56	66,5	70	168	530



PP Inspection chamber Type G

for corrugated pipe DN/OD 355 (with foot)

DN/OD	h1	h2	h3	h4	h5	t	L
110*	66,5	70	119,0	175	360,5	79,0	685 0
160	100	103,5	163,5	175	438,5	74,0	550 X
200	120	123,5	163,5	175	458,5	84,5	570 X



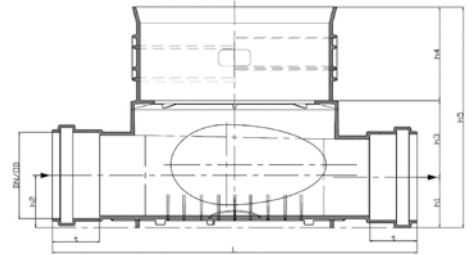
X= one-piece 0=welded

*only available without foot

PP Inspection chamber Type RML

for corrugated pipe DN/OD 355

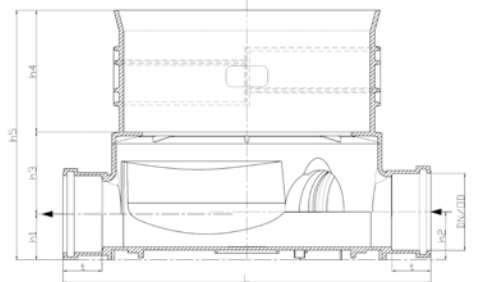
DN/OD	h1	h2	h3	h4	h5	t	L
110	66,5	70,0	119	175	360,5	79	685
160	94,0	97,5	144	175	413	91	685
200	116,5	120,0	169	175	460,5	109	685



PP Inspection chamber Type ML

for corrugated pipe DN/OD 355

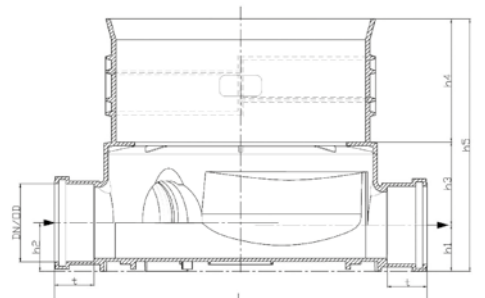
DN/OD	h1	h2	h3	h4	h5	t	L
110	66,5	70,0	119	175	360,5	56	530



PP Inspection chamber Type MR

for corrugated pipe DN/OD 355

DN/OD	h1	h2	h3	h4	h5	t	L
110	66,5	70,0	119	175	360,5	56	530



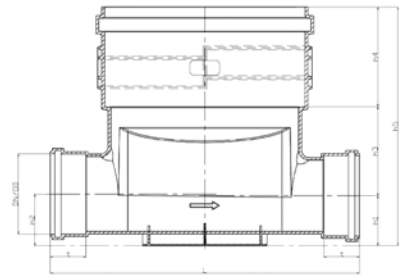
PP Inspection chamber Type G

DN/OD 315 (with foot)

DN/OD	h1	h2	h3	h4	h5	t	L
110*	66,5	70	122,0	322	510,5	79,0	685 0
160	100	103,5	163,5	160	423,5	74,0	550 X
200	120	123,5	163,5	160	443,5	84,5	570 X

X=one-piece 0=welded

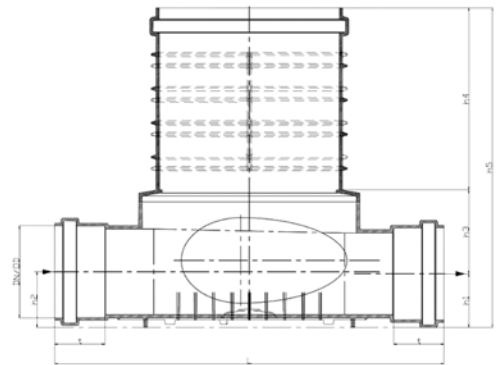
*only available without foot



PP Inspection chamber Type RML

DN/OD 315

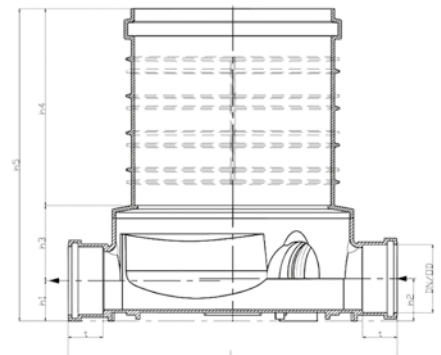
DN/OD	h1	h2	h3	h4	h5	t	L
110	66,5	70,0	122,0	322	510,5	79	685
160	94,0	97,5	142,5	322	558,5	91	685
200	116,5	120,0	167,5	322	606	109	685



PP Inspection chamber Type ML

DN/OD 315

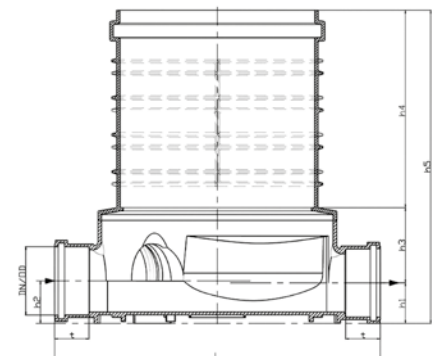
DN/OD	h1	h2	h3	h4	h5	t	L
110	66,5	70,0	122	322	510,5	56	530



PP Inspection chamber Type MR

DN/OD 315

DN/OD	h1	h2	h3	h4	h5	t	L
110	66,5	70,0	122	322	510,5	56	530



PP Inspection chamber Type G

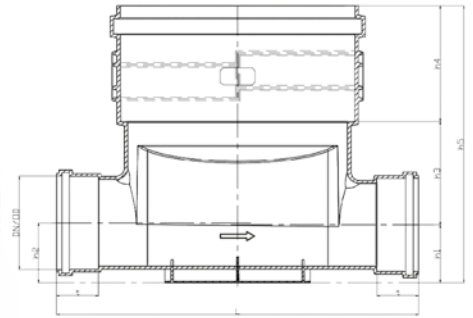
DN/OD 400 (with foot)

DN/OD	h1	h2	h3	h4	h5	t	L
110*	66,5	70	119,0	327	512,5	79,0	685 0
160	100	103,5	178,5	200	478,5	74,0	630 x
200	120	123,5	178,5	200	498,5	84,5	650 x
250	145	148,5	178,5	203	526,5	112	700 x

X = one-piece 0 = welded

*only available without foot

Also available with inlet and outlet 315 mm

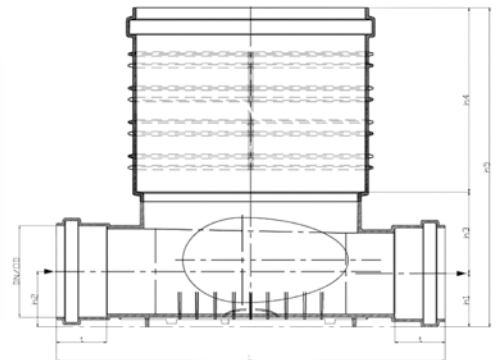


PP Inspection chamber Type RML

DN/OD 400, 110 welded, 160+200 one piece

DN/OD	h1	h2	h3	h4	h5	t	L
110	66,5	70	119,0	327	512,5	79,0	685
160	91,5	95	118,5	200	410	74,0	600
200	113,5	117	143,5	200	457	84,5	630

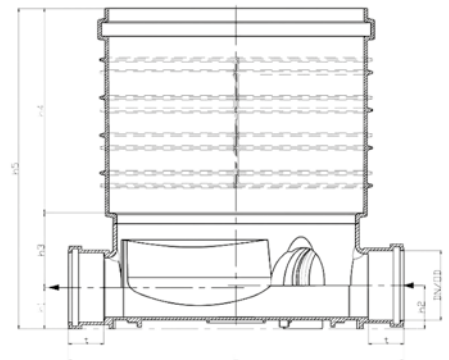
Also available with inlet and outlet 250 and 315 mm



PP Inspection chamber Type ML

DN/OD 400

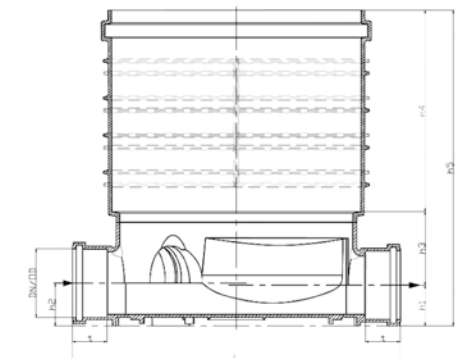
DN/OD	h1	h2	h3	h4	h5	t	L
110	66,5	70,0	119	327	512,5	56	530



PP Inspection chamber Type MR

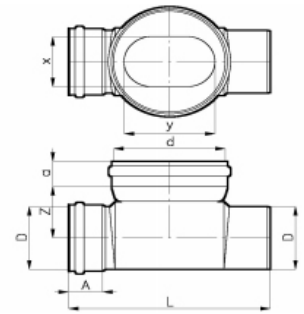
DN/OD 400

DN/OD	h1	h2	h3	h4	h5	t	L
110	66,5	70,0	119	327	512,5	56	530



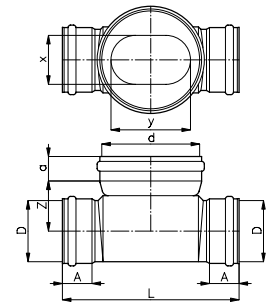
PVC Inspection chamber FFM

D	d	L	A	a	Z	x	y
250	400	700	110	100	205	200	325
315	400	720	120	100	230	200	325



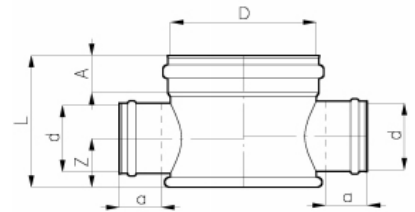
PVC Inspection chamber FFF

D	d	L	A	a	Z	x	y
250	400	700	110	100	205	200	325
315	400	720	120	100	230	200	325



PP Access chamber FFF

D	d	L	A	a	Z
315	125	362	112	70	98
315	160	362	112	76	115
315	200	362	112	86	135



Axedo

Features and benefits:

- Manufactured to EN 13598-2 and EN 476
- Quick and easy to install
- Lightweight and tight fitting
- PP material offers excellent resistance to corrosion and chemical components
- Fully recyclable after use
- For pipe diameters from 160 up to 400 mm
- Installation depth max 6 mtr.
- Sockets allow 7,5° movement in all directions



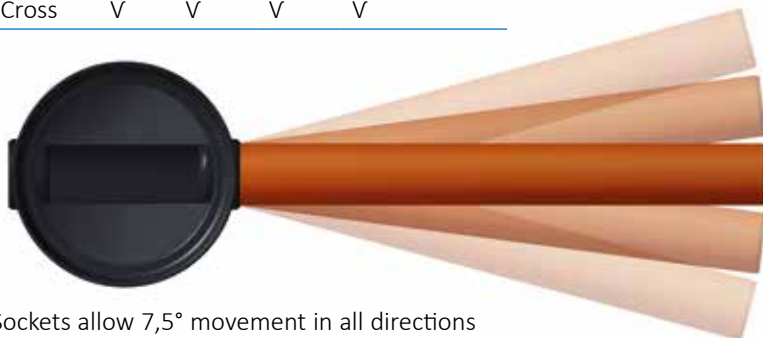
With many different configuration options, the Axedo 600 is one of the most flexible inspection chambers.

Other configurations possible upon request.



Axedo 600 MM

D (mm)	160	200	250	315	400
0 - 180°	✓	✓	✓	✓	✓
0 - 150°	✓	✓	✓	✓	
0 - 120°	✓	✓	✓	✓	
0 - 90°	✓	✓	✓	✓	
T	✓	✓	✓	✓	
Cross	✓	✓	✓	✓	



Sockets allow 7,5° movement in all directions



PVC GULLIES



BTNyloplast
Nature's Network



PVC Gullies

Ever since the nineteen eighties our gullies just cannot be overlooked in the street. Gullies have evolved considerably as a result of customers' wishes and market research. Examples are an impact-proof PE-bottom replacing PVC, a U3-recyclate sump instead of solid-wall, an extended program of covers, filter systems and/or swivel joints, varying sand trap capacity(10, 17, 30 or 50 liters) and a Dutch KOMO-certificate.

The gullies outlets have a standard angularity of 6 degrees around the axis. The optional swivel joint improves this angular movement up to 15 degrees around the axis to compensate extreme soil movements.

The optional filter, which is attached to the stench trap, can easily be removed out of the gully. Due to the ingenious design

there is no possibility for the stench trap or the stench trap with filter to drop on the bottom or to disappear. The heavy-traffic gully is composed of multi-layer recyclate and complies with the strictest demands. Both the loading, and other dynamic tests have been more than withstood, resulting in a KOMO-certificate, in a sustainable version with an unaffected life span.

All gullies are equipped with a smelltrap. Optional in each gully: a filter, a swivel joint and an extra outlet.

Dimensions of the outlets available 125, 160 and 200 mm.



V-flow®
drainsystem

V-flow® drainsystem is an unique vertical drain system, applicable for new and existing sewer systems and for private as well as public and industrial use. It combines the following functions: collect, store and infiltrate rainwater. The gully collects the rainwater from the streets and then the infiltration pole infiltrates it into the bottom.

The V-flow® drainsystem consists of:

- Gully with a large sand trap and a screen to protect the infiltration pole from dirt
- Cast iron gully top as cover (street top or footway kerb)
- Infiltration pole; positioned right vertical below the gully. It stores the water temporarily where it infiltrates into the bottom
- Geotextile wrapping that spreads the flow of rainwater into the bottom and prevents dirt to come in the infiltration pole



APPLICATION AREA

PVC Gullies for underground, non-pressurized waste water pipes. Suitable for heavy traffic. Perfect substitute for concrete gullies.



APPROVAL

Czech Republic, Netherlands



MATERIAL DESIGNATION

PVC-U



STANDARD

EN 7057, BRL 2021



DIAMETER

Dia. 300 and 315 with outlets/inlets 125, 160, 200mm



COLOURS

Grey RAL7037



SEALING RING SYSTEM

SK seal

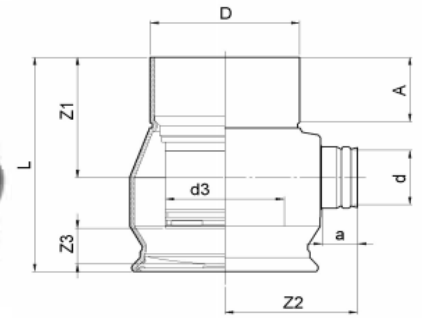


PACKAGING TYPES

On one-way pallets wrapped in film

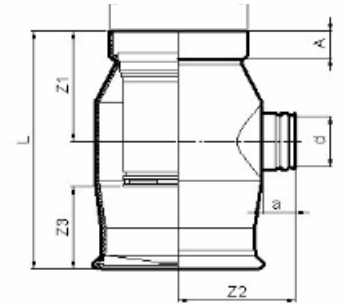
Gully 10 litres

Class	D	d	d3	L	A	a	Z1	Z2	Z3
SDR34	315	125	250	500	150	75	250	285	130
SDR34	315	160	250	500	150	85	265	295	130



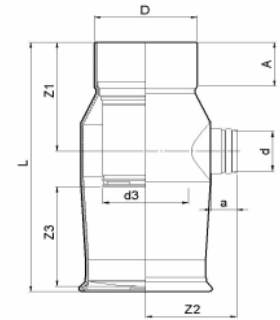
Gully 17 litres

Class	D	d	d3	L	A	a	Z1	Z2	Z3
SDR34	315	125	250	600	80	75	280	275	170
SDR34	315	160	250	600	80	75	280	275	170
SDR34	315	200	250	600	80	75	280	275	170



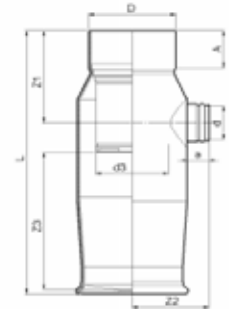
Gully 30 litres

Class	D	d	d3	L	A	a	Z1	Z2	Z3
SDR34	315	125	250	800	150	75	350	275	300
SDR34	315	160	250	800	150	85	350	285	300
SDR34	315	200	250	850	150	100	375	305	300



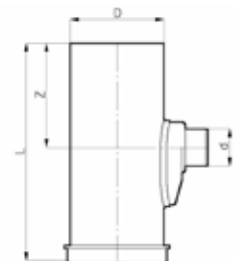
Gully 50 litres

Class	D	d	d3	L	A	a	Z1	Z2	Z3
SDR34	315	125	250	1000	150	75	350	275	500
SDR34	315	160	250	1000	150	85	350	285	500
SDR34	315	200	250	1010	150	100	375	305	500



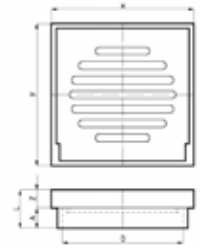
Gully footway model

Class	D	d	L	Z
SDR65	250	125	766	490



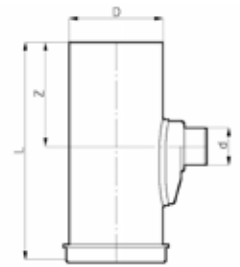
Cast iron footway gully top

Class	D	L	A	Z	x	y
A15kN	250	80	40	40	300	300



Gully 20 litres

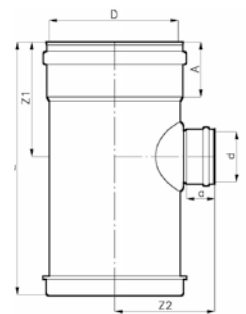
Class	D	d	L	Z
SDR65	315	125	730	350



Gullies with socket entry and outlet

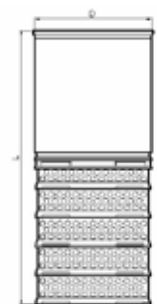
(including sifon)

D	d	H	A	a	Z1	Z2	V
400	160	1450	150	85	350	305	115L
400	200	885	150	100	385	325	40L
400	200	1010	150	100	365	325	60L
400	200	1500	150	100	385	325	115L
400	250	885	150	110	385	340	40L
400	315	710	120	125	350	360	20L
400	315	900	120	125	350	360	40L
400	315	1520	120	125	350	360	115L



Smell trap with filter

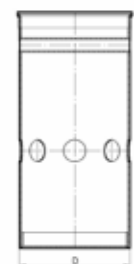
D	H	V
250	293	10L
250	467	17L
250	591	30L
250	777	50L



Dirt trap for gully

(in areas where manual cleaning is required)

Class	D	e	H	V
SDR65	250	3.8	535	30L
SDR65	250	3.8	735	50L
SDR65	250	3.8	535	30L
SDR65	250	3.8	735	50L



Adjustment socket for every gully

D	H
250	90
315	90
400	90

Cast iron footway gully top

Class	D	L	A	B	Z	x	y
C250kN	300	140	60	7	80	300	450
C250kN	300	140	60	7	80	320	450
B125kN	315	90	40	7	50	334	334

Cast iron gully top with rapid lock

Class	D	L	A	B	Z	x	y
B125kN	315	90	40	5	50	334	334

Cast iron street ditch gully top

Class	D	L	A	B	Z	x	y
C250kN	300	170	60	30	110	300	450

Cast iron footway kerb gully top

Class	D	L	A	B	Z	x	y
B125kN	315	246	60	41	145	400	350

Cast iron footway kerb gully top

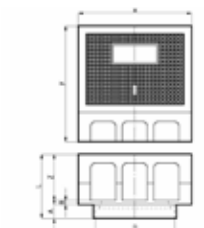
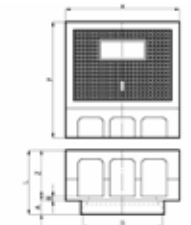
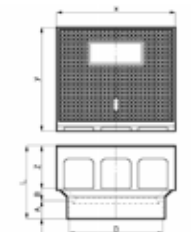
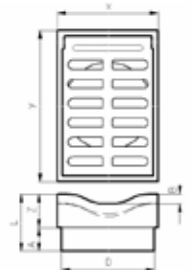
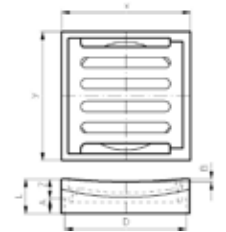
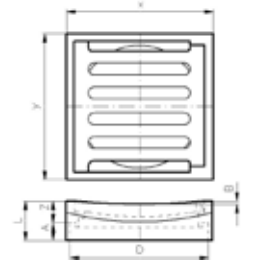
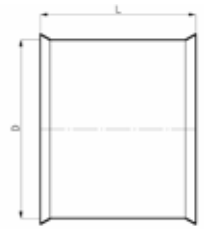
5/20 type

Class	D	L	A	B	Z	x	y
B125kN	315	210	55	55	100	450	450

Cast iron footway kerb gully top

7/20 type

Class	D	L	A	B	Z	x	y
B125kN	315	210	55	70	85	450	450



Cast iron footway kerb gully top

RWS type

Class	D	L	A	B	Z	x	y
B125kN	315	225	55	15	185	450	460

Cast iron gully top

with text: infiltratie regenwater

Class	D	L	A	B	Z	x	y
C250kN	300	140	60	7	80	300	450
C250kN	300	140	60	7	80	320	450
B125kN	315	90	40	7	50	334	334

Cast iron gully top

for infiltration

Class	D	x	y
B125kN	315	334	334

Cast iron footway kerb gully top

for infiltration

Class	D	L	A	B	Z	x	y
B125kN	315	246	60	41	145	400	350
B125kN	315	246	60	41	145	450	450

Cast iron footway kerb gully top

5/20 for infiltration

Class	D	L	A	B	Z	x	y
B125kN	315	210	55	55	100	450	450

Cast iron footway kerb gully top

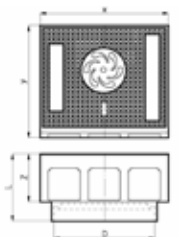
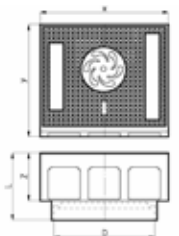
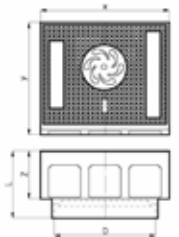
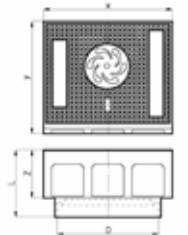
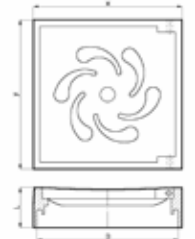
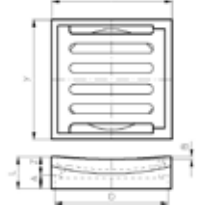
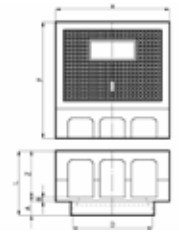
7/20 for infiltration

Class	D	L	A	B	Z	x	y
B125kN	315	210	55	70	85	450	450

Cast iron footway kerb gully top

RWS type for infiltration

Class	D	L	A	B	Z	x	y
B125kN	315	225	55	15	185	450	460



PVC GULLIES



PVC - SANITARY FITTINGS



BTNyloplast
Nature's Network



PVC - SANITARY FITTINGS

KA sanitary wastewater fittings

Our injection moulded PVC sanitary wastewater fittings are mainly designed for the use of drainage applications indoors and for rain gutter systems. We offer our fittings not only in the generally preferred degrees of 45° and 87° but also in 15°, 30° and 67°, thus making a complete assortment available for our customers.

In the production of our fittings we use the most modern technology: the sockets are formed by collapsible rings in the mould, which ensures leak-proof and accurate connection with the pipes.

We supply our fittings with inserted BL rings. Our high stock level enables fast and complete deliveries in the domestic as well as in the export markets.



APPLICATION AREA

Fittings for sanitary, non-pressurised waste water pipes [PVC-U]



APPROVAL

Hungary



MATERIAL DESIGNATION

PVC-U



STANDARD

DIN 19531, EN-1329-1



NOMINAL RING STIFFNESS

SN4



DIAMETER

DN/OD 32mm - 160mm



COLOURS

Grey RAL7037, special colours available on request



SEALING RING SYSTEM

BL lip seal / HMS lip seal



PACKAGING TYPES

Cartons on one-way pallets

KAB Bend

Dia. (mm)	15°	30°	45°	67°	87°
32	+	+	+	+	+
40	+	+	+	+	+
50	+	+	+	+	+
63	-	-	+	-	+
75	+	+	+	+	+
90	-	-	+	-	+
100	-	-	+	-	+
110	+	+	+	+	+
125	+	+	+	+	+
160	+	+	+	+	+



KAEA T-Piece

Dia.	(mm)	45°	67°	87°
32 /	32	+	-	+
40 /	32	+	-	+
40 /	40	+	+	+
50 /	32	+	-	-
50 /	40	+	+	+
50 /	50	+	+	+
63 /	63	+	-	-
75 /	50	+	+	+
75 /	75	+	+	+
110 /	50	+	+	+
110 /	63	+	-	-
110 /	75	+	+	+
110 /	110	+	+	+
125 /	110	+	-	+
125 /	125	+	-	+
160 /	110	+	+	+
160 /	125	+	+	+
160 /	160	+	+	+



KAR Excentric reducer

Dia.	(mm)
40 x	32
50 x	32
50 x	40
63 x	50
75 x	50
110 x	50
110 x	63
110 x	75
125 x	110
160 x	110
160 x	125



KAU Repair coupler

Dia. (mm)

32*
40*
50*
63
75
110
125
160

*also available in thick-walled version



KARE Cleaning pieces

Dia. (mm)

40
50
75
110
125



KAR Centric reducer**Dia. (mm)**

32 x 40

**KAM Socket-plug****Dia. (mm)**

32, 40, 50, 75, 110, 125, 160

**KAMM Double coupler****Dia. (mm)**

32

40

50

75

110

125

160

**KBA Floor drain****Dia. (mm)**

125 x 75 x 50

125 x 75 x 63



PP - HT FITTINGS



BTNyloplast
Nature's Network





HT-PP sanitary wastewater fittings

Our injection moulded HT-PP sanitary wastewater fittings have better heat tolerance than PVC fittings and their application is becoming wider and wider. We offer our fittings not only in the generally preferred degrees of 45° and 87° but also in 15°, 30° and 67°, thus making a complete assortment available for our customers.

In the production of our fittings we use the most modern technology: the sockets are formed by collapsible rings in the mould, which ensures leak-proof and accurate connection with the pipes.

We supply our fittings with inserted BL rings. Our high stock level enables fast and complete deliveries in the domestic as well as in the export markets.



APPLICATION AREA

Fittings for sanitary, non-pressurised waste water pipes [PP]



APPROVAL

Hungary



MATERIAL DESIGNATION

Polypropylene



STANDARD

EN-1451-1



NOMINAL RING STIFFNESS

SN4



DIAMETER

DN/OD 32mm - 110mm



COLOURS

Grey RAL7037, special colours available on request



SEALING RING SYSTEM

BL lip seal



PACKAGING TYPES

Cartons on one-way pallets

HTB Bend

Dia. (mm)	15°	30°	45°	67°	87°
32	-	-	+	+	+
40	+	+	+	+	+
50	+	+	+	+	+
75	+	+	+	-	+
110	+	+	+	+	+



HTEA T-Piece

(F x F x F)

Dia.	(mm)	45°	87°
50/	40	-	+*
75/	40	+	+
110/	40	+	+
110/	50	+	+*
110/	75	+	-
110/	110	-	+*

* Swept version



HTEA T-Piece

(M x F x F)

Dia.	(mm)	45°	67°	87°
32/	32	+	+	+
40/	40	+	+	+
50/	32	+	-	-
50/	40	+	-	+*
50/	50	+	+	+
75/	40	+	-	+
75/	50	+	-	+*
75/	75	+	-	+
110/	40	+	-	-
110/	50	+	+	+*
110/	75	+	-	-
110/	110	+	+	+*
125/	125	+	-	+
160/	110	+	-	+
160/	125	+	-	+
160/	160	+	-	+

* Swept version



HTDA Double branch

Dia. (mm)

50 x 50 x 50	45°
50 x 50 x 50	87°
110 x 50 x 50	45°
110 x 110 x 110	45°
110 x 110 x 110	87°



HTMM Double coupler

Dia. (mm)

32
40
50
110



HTU Repair coupler

Dia. (mm)

32
40
50
110



HTR Reducer

Dia. (mm)

40 x 32
50 x 32
50 x 40
75 x 50
110 x 50
110 x 50 (short version)
110 x 75
160 x 110
160 x 125



HTRE cleaning piece

Dia. (mm)
50
110
160



HTM Socket plug

Dia. (mm)
32
40
50
110
160



VENTILATION COMPONENTS



BTNyloplast
Nature's Network



VENTILATION COMPONENTS

Air ventilation fittings

In Ventilation components we produce two different assortments;

Our injection moulded air ventilation products made of polystyrene are perfectly resistant to various weather conditions. The different designs make the widest application of these products possible in both outdoor and indoor installation. Wide range of color is offered to ensure an esthetic and well-matching setting.

In addition, we produce a wide range of PVC vent cowls by thermomoulding. Our vent cowls are available in single wall or double wall (against condensation) version and come up to 400mm in diameter. Off course also the flashings for all vent cowls are available.





APPLICATION AREA

Wall cover for fume extraction, vent cowls and flashings for flat roofs



MATERIAL DESIGNATION

High impact-resistant polystyrene S/B, PVC-U



DIAMETER

80 - 160mm, 50 t/m 400mm



COLOURS

White, grey, fawn brown, mocha



PACKAGING TYPES

Cartons on one-way pallets

Universal louvre flap

- With drip fitting, self-acting louvres



Waste air hood with non-return flap

- Connection possibilities for round diameter 100 mm and round diameter 125 mm
- Flat Duct 110 x 55 mm
- Outer dimensions 150 x 150 mm
- Colours: White, grey, fawn brown, mocha



Universal Louvre grille

- Connection possibilities for round diameter 100 mm and round diameter 125 mm
- Flat duct 110 x 55 mm
- Outer dimensions 150 x 150 mm
- Colours: White, grey, fawn brown, mocha



Reducer of polystyrene

- Connection possibilities for round diameter 100 mm and round diameter 125 mm
- Flat duct 110 x 55 mm
- Outer dimension 150 x 150mm
- Colours: White, grey, fawn brown, mocha

Reducer

D (mm)
80/110
110/110
110/125
125/160



Hose connector

D (mm)
110
125



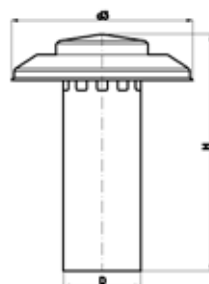
Wall connector

D (mm)
110
125



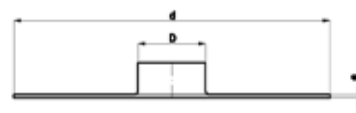
Single wall vent cowl

D	d3	H
50	148	217
60	148	217
70	148	270
80	193	270
100	193	325
110	280	325
125	280	405
160	335	455
200	403	500
250	510	615
315	550	700
400	550	700



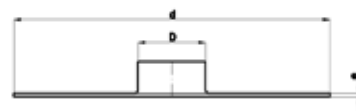
Flashing for single wall vent cowl

D	d
60	280
70	280
80	280
100	280
125	350



Square flashing for single wall vent cowl

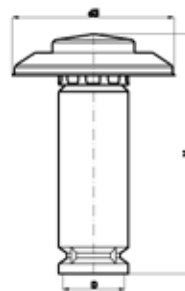
D	d	e
50	200	2
110	250	2
160	333	2
200	400	2
250	500	2
315	600	3
400	800	4



VENTILATION COMPONENTS

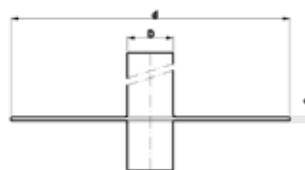
Double wall vent cowl

D	d3	H
60	148	209
70	148	252
80	193	289
100	193	322
125	280	360
160	335	399
200	403	477
250	510	550
315	550	573



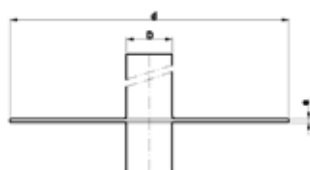
Flashing for double wall vent cowl

D	d	H
60	280	169
70	280	199
80	280	221
100	280	246
125	350	276



Square flashing for double wall vent cowl

D	d	e	H
160	333	2	299
200	400	2	330
250	500	2	393
315	600	3	455



DRAINAGE FITTINGS



BTNyloplast
Nature's Network



DRAINAGE FITTINGS

We produce an extensive range of thermomoulded PVC drainage fittings to be used with corrugated drainage or cable protection pipe. In addition to the standard fittings like couplers and T-pieces, adapters to smooth wall pipe (for example standard sewage) form an important part of the range. In addition to fittings, you can also contact us for PVC drainage pits in all desired configurations.





APPLICATION AREA

Fittings for underground drainage pipes



APPROVAL

Netherlands



MATERIAL DESIGNATION

PVC-U



DIAMETER

DN/OD 50mm - 200mm



COLOURS

Grey RAL7037

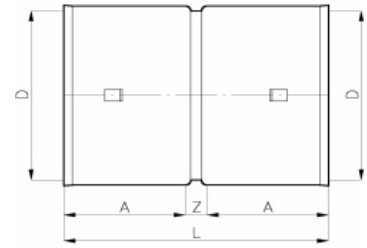


PACKAGING TYPES

Cartons on one-way pallets

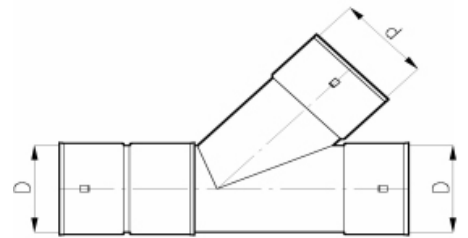
Double coupler for drain pipe

D	L	A	Z
50	100	46	8
60	100	46	8
65	100	46	8
80	125	58	9
88	122	56	10
100	125	58	9
125	152	70	12
160	188	90	8
200	240	115	10



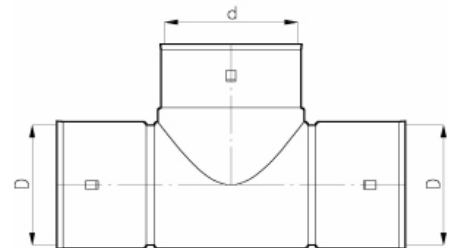
T-Piece for drain pipe FxFxF 45°

D	L
60	60
65	65
80	80
100	80
100	100
160	160



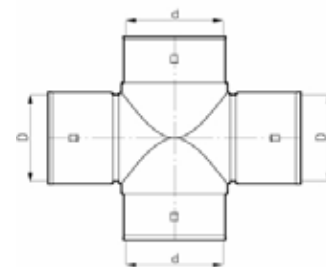
T-Piece for drain pipe FxFxF 90°

D	d	L	A	a	Z
50	50	140	35	35	30
60	60	170	43	43	35
65	65	175	45	45	40
80	50	182	55	48	37
80	60	190	58	50	45
80	65	198	58	50	45
80	80	220	60	60	48
100	50	225	72	50	50
100	60	230	72	50	50
100	65	240	76	50	52
100	80	245	68	65	52
100	100	255	65	65	55
125	50	210	68	36	69
125	60	215	68	48	67
125	65	225	67	50	70
125	80	245	68	60	65
125	100	270	68	75	75
125	125	280	68	68	67
160	50	0	0	0	0
160	60	0	0	0	0
160	80	0	0	0	0



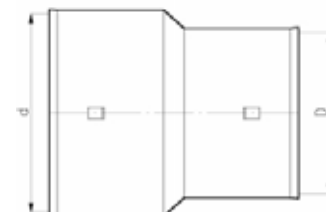
Double Tee Piece for drain pipe FxFxFxF 90°

D	d
60	60
65	65
80	80
100	60
100	80
100	100
125	60
125	80
160	50
160	60
160	80
200	80



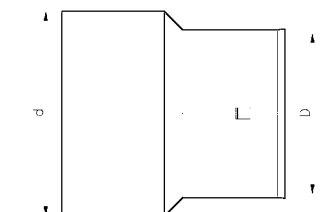
Reducer for drain pipe FxM

D	d	L	A	B	Z
50	60	100	38	50	12
50	65	100	38	50	12
50	80	123	38	60	25
60	80	116	40	60	16
65	80	135	50	63	22
80	100	147	55	72	20
100	160	0	0	0	0
125	160	190	70	90	30
160	200	235	90	115	30



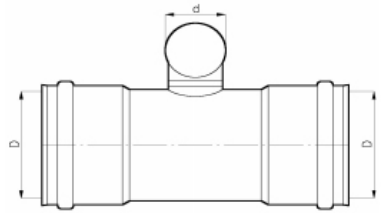
Adapter for drain pipe FxF

D	d
50	80
50	125
60	80
60	125
65	80
65	110
65	125
80	100
80	110
80	125
100	110
100	125



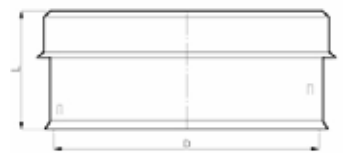
Drain-sewer adapter FxFxFxF

D	d
125	60
125	65
125	80
160	50
160	60
160	80



Endcap for drain pipe

D	L
50	40
60	33
65	33
80	35
100	74
125	75
160	95
200	122



Junction for drain pipe FxFxF 30°

D	d
80	80



Drain pipe rodding eye FxFxF

D	d
80	60
100	60



RAINWATER FITTINGS



BTNyloplast
Nature's Network



RAINWATER FITTINGS





APPLICATION AREA

Fittings for rainwater pipes



MATERIAL DESIGNATION

PVC-U



DIAMETER

DN/OD 60 mm - 125 mm



COLOURS

Grey

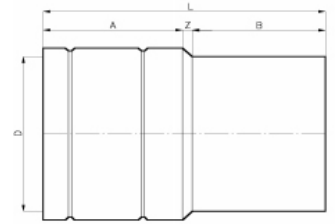


PACKAGING TYPES

Cartons on one-way pallets

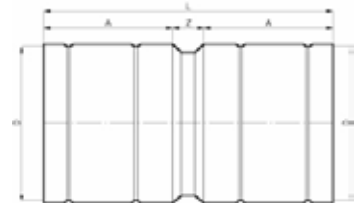
Socket with spigot for rainwater pipe

D	L	A	B	Z
60	89	44	43	2
70	85	44	39	2
80	85	44	39	2
100	95	47	46	2



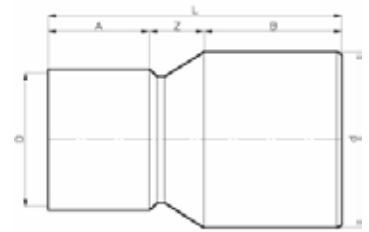
Double coupler for rainwater pipe

D	L	A	Z
60	94	45	4
70	94	45	4
80	99	47	5
100	125	59	7



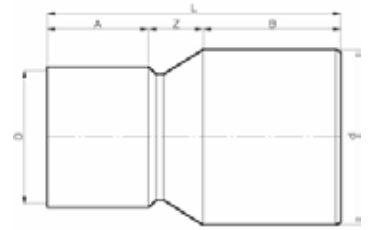
Reducer for rainwater pipe FxM

D	d	L	A	a	Z
60	70	99	40	52	7
60	80	99	39	48	12
70	80	99	33	59	7
70	100	125	45	63	17
80	100	125	50	63	12



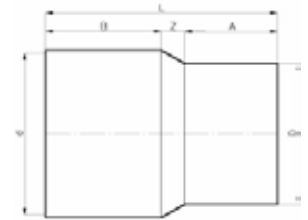
Rainwater-sewer adapter FxM

D	d	L	A	a	Z
60	75	113	42	61	10
70	75	99	43	51	5
70	110	148	52	74	22
70	125	155	41	84	30
80	75	99	46	48	5
80	110	124	44	63	17
80	125	180	65	90	25
100	110	124	48	69	7
100	125	168	63	90	15



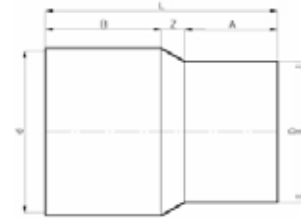
Hopperhead Reducer

D	d	L	A	a	Z
80	57	104	51	40	13
80	67	100	50	40	10
100	77	115	54	48	13



Gutter outlet adapter

D	d	L	A	a	Z
63	67	105	66	35	4
104	76	115	51	48	16
104	96	105	51	48	6



RAINWATER FITTINGS



CLIENT SPECIFIC SOLUTIONS



BTNyloplast
Nature's Network



Client specific solutions

BT Nyloplast developed an extensive range of customized products for worldwide manufacturers of plastic pipe systems, for producers of concrete manholes and pipes, and partners active in other industries.

These products were developed in conjunction with clients, at costs that are generally lower than similar costs for injection-moulding solutions, should lower production volumes, for example in the start-up phase of a new product line, be foreseen, the development of a new product by means of thermo moulding will be a more economical.

Our in-house research & development division works with the latest 3D-drawing programs, enabling us to present a three-dimensional image of a requested product almost instantly. This advanced program also provides clear visualization of possible problems.

Indications of product cost-price and possible investments in tooling and/or moulds, can also be available in a short period of time. Moreover, with the help of our own technical department and their machine production options, we can realize a product in a short period of time.

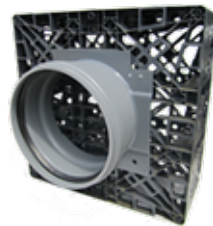
When designing a product, right from the start, we are very aware of the necessity of a conscientious use of the quantities, and of the types of material required.

In this way we gladly advise in any kind of co-development route and the creation of a solution meeting your requirements. Our use of different production routines (injection moulding, thermo moulding, welding etc.) will likely offer broad possibilities for co-development of client specific solutions.

Following pages show some random examples of client specific solutions, be it in model or colour.



Odd shapes & sizes, client specific colours.



Customised connections to various systems e.g. rainwater harvesting systems.



Solutions for all sorts of corrugated pipes.



Development and design with state of the art software.



Combining two fittings into one.

This example Swivel joint + T-piece.

GROUP PRODUCTS



BTNyloplast
Nature's Network



GROUP PRODUCTS

Being a member of DYKA Group within the Industrial Solutions division of Tessenderlo Group, BT Nyloplast has access to various other systems related to the transport of water or air in various forms.

Besides the BT Nyloplast manufacturing entities in the Netherlands, Germany and Hungary, we can rely upon the support of our sister companies in the Netherlands, Belgium, France, The United Kingdom, Poland and Czech Republic.

This wide geographical spread makes us understand many local markets in various application areas; be it in underground solutions or in building and installation situations. Within Tessenderlo Group we can rely on many experts in many fields.

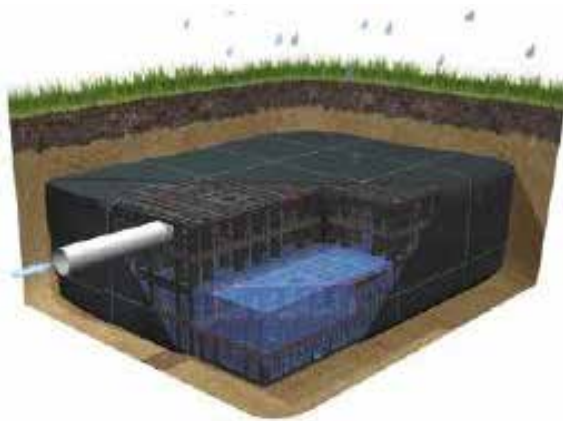
Our various overseas export markets also prove our products and services are appreciated worldwide.

Following pages show a mere selection and variety of systems BT Nyloplast can offer and supply, or support you in, towards your national Tessenderlo Group partner.

Please contact us for the possibilities, or for further information



rainbox® attenuation solutions



Dimension	L 1200 x W 600 x D 420 mm
Gross Volume	302 L
Net Volume	290 L
Void Ratio	96 %
Weight	11,5 kg

Loading Class	Pedestrian	± 3,5t	± 12t
Min. earth covering (mm)	250	250	1900
Max. earth covering (mm)	2000	2000	1900
Max. instalation (m)	3,5	4,5	3,5
Max. number of layers	7	7	7



Assembly

Rainbox 3S crates are assembled quickly. Crates arrive on site flat-packed on pallets and consist of 2 half boxes with an intermediary plate. Boxes and plates simply snap together to make a full sized crate.

Interlocking crates are joined using minimum 2 single clips per contact side (double clips between layers).

Ultra Kyma structured piping system for (water) drainage

- **Damage resistant at low temperature (till -10C).** The unique, corrugated design with the application of twin wall polypropylene ensures extra stability and prevents damage during installation, even at low temperature.
- **Ease of installation.** ULTRA KYMA is quick and simple to install. This means that the trench can be closed-up faster, and less inconvenience originates for people living in the vicinity and traffic.
- **Seal connections.** The sealing properties of the connecting parts were tested at a water pressure of 0,5 bars and an air pressure of -0,3 bars.
- **Ring flexibility 30%** The pipe can deform up to 30% of its diameter without being damaged.
- **Stiffness SN8.** Thanks to the high dimensional stability and stiffness of the material, ULTRA KYMA undergoes practically no deformation, even at heavy traffic areas.
- **High-quality material.** The use of only polypropylene and colour pigments without further additives contributes to the high quality of the ULTRA KYMA: the excellent chemical resistance creates a long lifetime expectancy.
- **The light weight** of ULTRA KYMA results in simple transport and ease of installation.
- **The smooth inner surface** is synonyme for high flow capacity.
- With **lengths** of 6 metres, work can be done more easily and quickly than with usually shorter concrete elements.
- ULTRA KYMA can be **simply to size**, and the piping end does not have to be chamfered.
- The corrugated outside ensures **better bedding in the earthwork** and prevents the piping from shifting during installation activities on hilly terrain.
- **Sustainable and fully (100%) recyclable.**



DN/ID (mm)	Outside (mm)	Standard length* (m)	Packed per
300/297	340	6.0	8 pcs
400/396	453	6.0	4 pcs
500/495	567	6.0	4 pcs
600/594	680	6.0	2 pcs

* effective length



GROUP PRODUCTS



DYKA AIR consists of round and oval pipes and all necessary connecting and auxiliary parts.

Thanks to its unique form, the system is highly suitable for casting in concrete and can be used in the usual building types.

Oval duct and auxiliary parts

Dimensions: w x h = 195 x 80

Auxiliary parts

Bends 45 ° omnidirectional sleeve and sleeve/cotter.

Bends 90 ° omnidirectional sleeve.

T-piece 90 ° omnidirectional sleeve.

Transition pieces oval - round

Here connections are possible to 80 and 125 mm, both in the horizontal and vertical direction.



The 80 mm oval T-piece can be used to make a side connection to a maximum of 75 m³/h. Special vaulting ensures the calm entry of the side flow. This keeps resistance over the auxiliary piece to a minimum.

When a multiple of floors is connected to a standpipe, a connection can be made to the oval cast ducting using a 125 mm T-piece and 125 mm oval reducer.

Round range:

Pipe 80mm and 125mm. Bends and T-pieces in 45 ° and 90 °, omnidirectional sleeve and sleeve/cotter.





Vacurain can be used in utility buildings. Vacurain is ideal for use in warehouses and storage buildings, office buildings, apartment buildings, hospitals and other buildings.

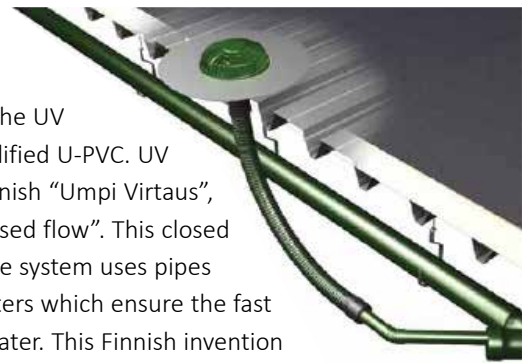
Applications

The Vacurain rainwater system is developed to drain rainwater from large roofs quickly, efficiently and inexpensively with a system that is unobtrusively included in the construction of the building. It is practical, cost-efficient, aesthetic, high-quality solution, which is particularly suitable for draining rainwater from utility buildings, which have special architectural or constructional requirements.

Vacurain is a tension free, durable and reliable modified U-PVC system with over 100.000 outlets installed throughout Europe.

Features and Benefits

- Uses up to 50% less pipe work than a conventional system
- Requires fewer outlets and downpipes
- High capacity and roof outlets
- Discreetly integrated and routed through the building, allowing greater design and architectural possibilities
- Connects externally to sewer systems, which can include a variety of attenuation or rainwater harvesting systems
- Less material, no electro fusion and smaller diameter pipe work means less site work, lower costs and faster installation
- Self priming and cleaning
- Higher return on investment through longer system life



Vacurain is an improvement of the UV system using modified U-PVC. UV stands for the Finnish "Umpi Virtaus", which means "closed flow". This closed rainwater drainage system uses pipes with small diameters which ensure the fast drainage of rainwater. This Finnish invention had been improved until the 1990's. Vacurain offers important advantages compared to alternative systems: a low coefficient of expansion, an inexpensive connection and attachment method and low material costs. Furthermore, Vacurain is easy to install and fire resistant.



Bi-oroc®: bi-oriented pvc pressure pipe



BI-OROC® tubes are manufactured following a specific technology: the Bi-orientation.

Bi-orientation consists of rearranging molecular chains in order to improve the physical and mechanical properties of the material.

During fabrication, the extruded polymer structure of the PVC is subjected to double drawing in

order to form a web/chain unit in two axes: circumferential and longitudinal, which gives BI-OROC exceptional characteristics within the plastic industry.

- The bi-orientation process reduces wall thickness compared to other similar pressure rated material thus increasing internal diameter.
- As the internal diameter of BI-OROC® is optimized, it reduces pumping energies.
- Due to a much higher modulus of elasticity BI-OROC® will deform less than other material.
- BI-OROC® pipe will withstand a **15 kg weight falling from 2m.**
- BI-OROC® pipes are extremely light. This facilitates easy handling which reduces the use of heavy machinery.



PEVEFOR®: Borehole pipes

- **PEVEFOR products are daily used by specialist contractors to equip:**
- **Water wells**
for municipalities and water authorities (water conveyance) for private individuals and farmers
- Facility construction (that require **groundwater depression**)
- Geotechnical Investigations
- Environmental engineers
- Monitoring and observation of boreholes

Types of connection



SCC
Solvent cement connection
(spigot and socket)



FJTT
Flush joint trapezoidal thread according to work standards.
Threads are cut into the wall of pipe :

- Pitch 6 mm : Ø 113 to 225
- Pitch 12 mm : Ø 250 to 400



WT
Witworth pipe thread according to DIN 2999: cylindrical internal thread and conical external pitch (11 threads per inch).



TTSF
Trapezoidal thread, blown female socket (according to DIN 4925).

- Pitch 6 mm : Ø 113 to 225
- Pitch 12 mm : Ø 250 to 400

Your contact



Western:

Tel. +31 (0)78/673 20 44
sales.nl@btenyloplast.com



DACH & Nordic:

Tel. +49 (0)82 51/89 95-0
sales.de@btenyloplast.com



Eastern:

Tel. +36 (0)48/505-032
sales.hu@btenyloplast.com



info@btenyloplast.com
www.btenyloplast.com

BTNyloplast
Nature's Network